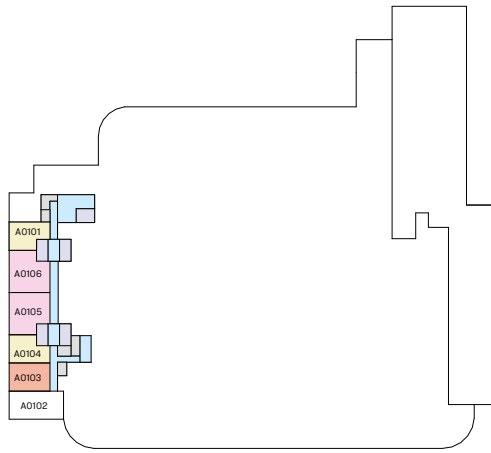


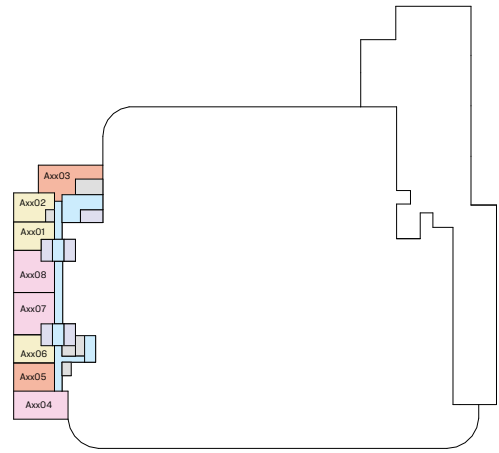
FLOOR AND UNIT PLANS
TOWER A

FLOOR PLAN LAYOUT

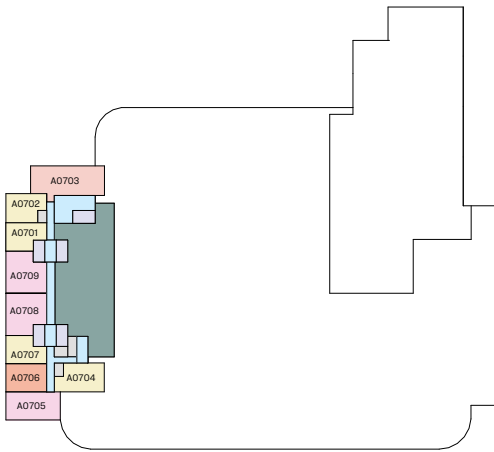
TOWER A



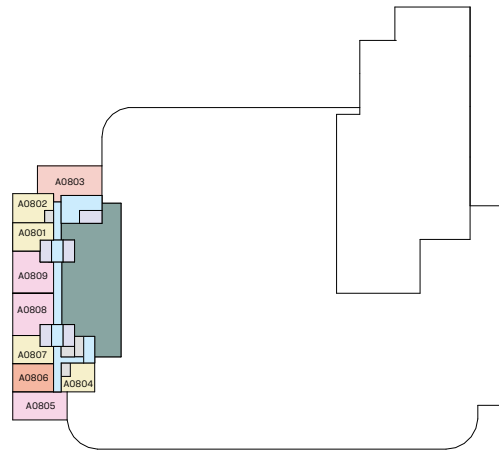
LEVEL 01



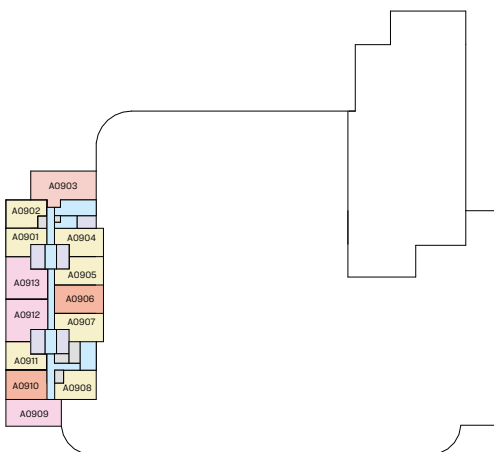
LEVEL 02 - 06



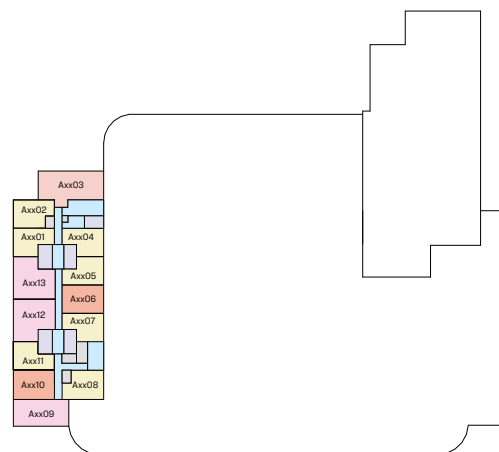
LEVEL 07



LEVEL 08



LEVEL 09



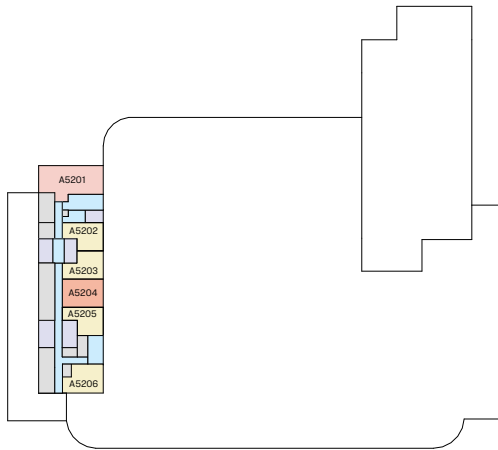
LEVEL 10 - 26 & 28 - 51

- | | | |
|---|---|--|
| 1 BED UNIT | 2.5 BED UNIT | CIRCULATION |
| 1.5 BED UNIT | 3 BED UNIT | LIFT |
| 2 BED UNIT | 3.5 BED UNIT | SERVICES |
| | | AMENITIES |

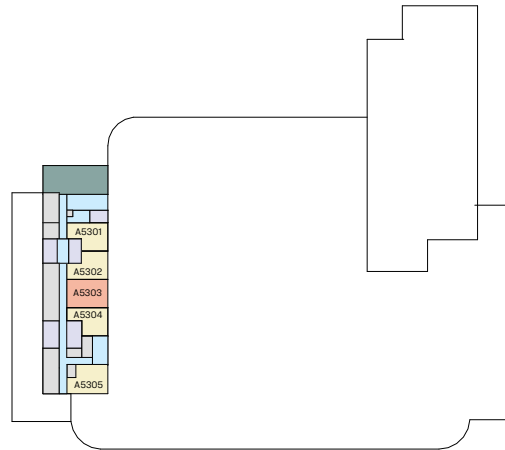
Disclaimer: 1. All dimensions are in metric, measured to wall finishes. 2. All materials, dimensions & drawings are approximate. 3. Information is subject to change without notice, at developer's absolute discretion. 4. Actual area may vary from the stated area. 5. Drawing are not to scale. 6. All images used are for illustrative purpose only and do not represent the actual size, features, specifications, fittings and furnishings. 7. The developer reserves the right to make revisions/ alterations, at its absolute discretion, without any liability whatsoever.

FLOOR PLAN LAYOUT

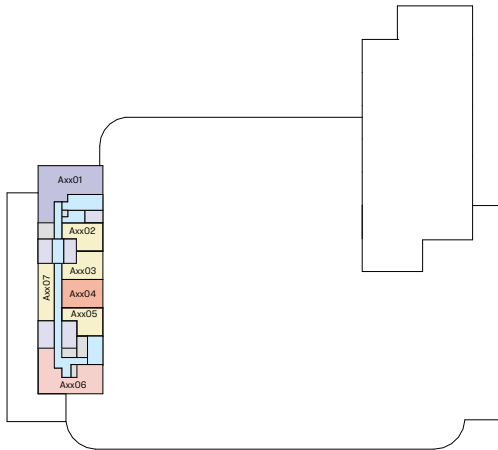
TOWER A











LEVEL 52



LEVEL 53



LEVEL 54 - 57

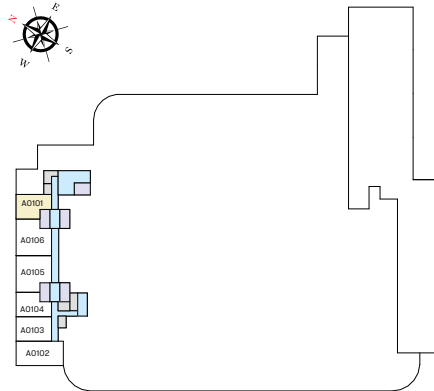
 1 BED UNIT	 2.5 BED UNIT	 CIRCULATION
 1.5 BED UNIT	 3 BED UNIT	 LIFT
 2 BED UNIT	 3.5 BED UNIT	 SERVICES
		 AMENITIES

Disclaimer: 1. All dimensions are in metric, measured to wall finishes. 2. All materials, dimensions & drawings are approximate. 3. Information is subject to change without notice, at developer's absolute discretion. 4. Actual area may vary from the stated area. 5. Drawing are not to scale. 6. All images used are for illustrative purpose only and do not represent the actual size, features, specifications, fittings and furnishings. 7. The developer reserves the right to make revisions/ alterations, at its absolute discretion, without any liability whatsoever.

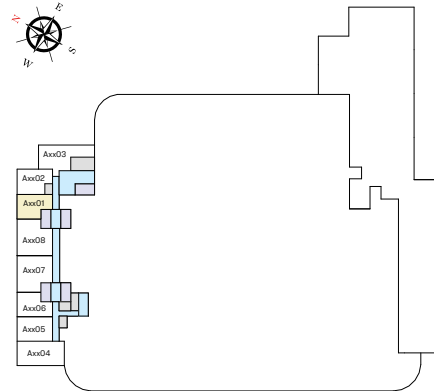
1 BEDROOM APARTMENT

TYPE A (with balcony)

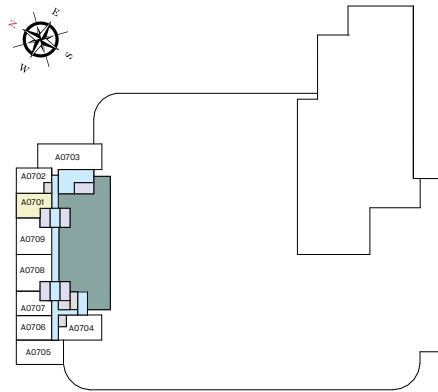
UNIT



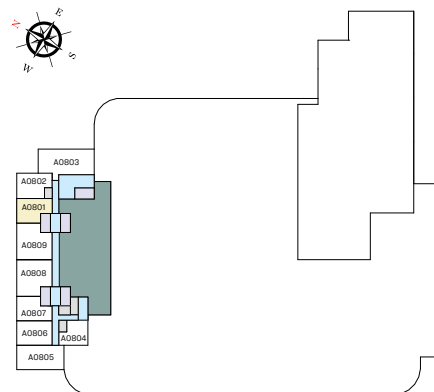
LEVEL 01



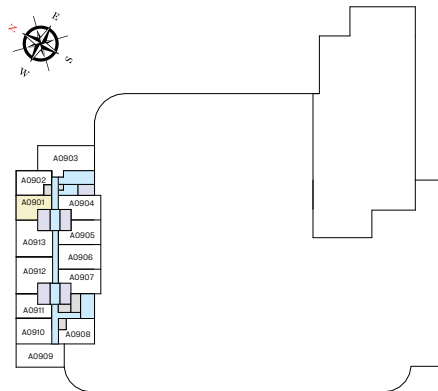
LEVEL 02 - 06



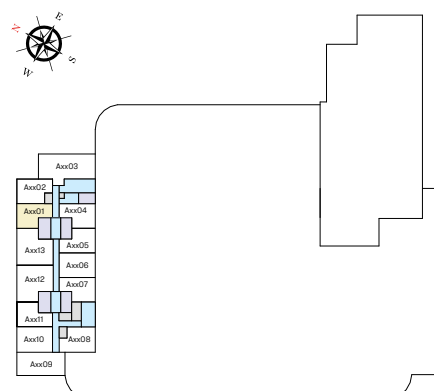
LEVEL 07



LEVEL 08



LEVEL 09



LEVEL 10 - 26 & 28 - 51

List of unit numbers with this unit plan:

VIEWS

Burj Khalifa, Downtown

A101, A201, A301, A401, A501, A601, A701, A801

Burj Khalifa, Downtown, Dubai Water Canal

A901, A1001, A1101, A1201, A1301, A1401, A1501, A1601, A1701, A1801, A1901, A2001, A2101, A2201, A2301, A2401, A2501, A2601, A2801, A2901, A3001, A3101, A3201, A3301, A3401, A3501, A3601, A3701, A3801, A3901, A4001, A4101, A4201, A4301, A4401, A4501, A4601, A4701, A4801, A4901, A5001, A5101

Disclaimer: 1. All dimensions are in metric, measured to wall finishes. 2. All materials, dimensions & drawings are approximate. 3. Information is subject to change without notice, at developer's absolute discretion. 4. Actual area may vary from the stated area. 5. Drawing are not to scale. 6. All images used are for illustrative purpose only and do not represent the actual size, features, specifications, fittings and furnishings. 7. The developer reserves the right to make revisions/ alterations, at its absolute discretion, without any liability whatsoever.

1 BEDROOM APARTMENT

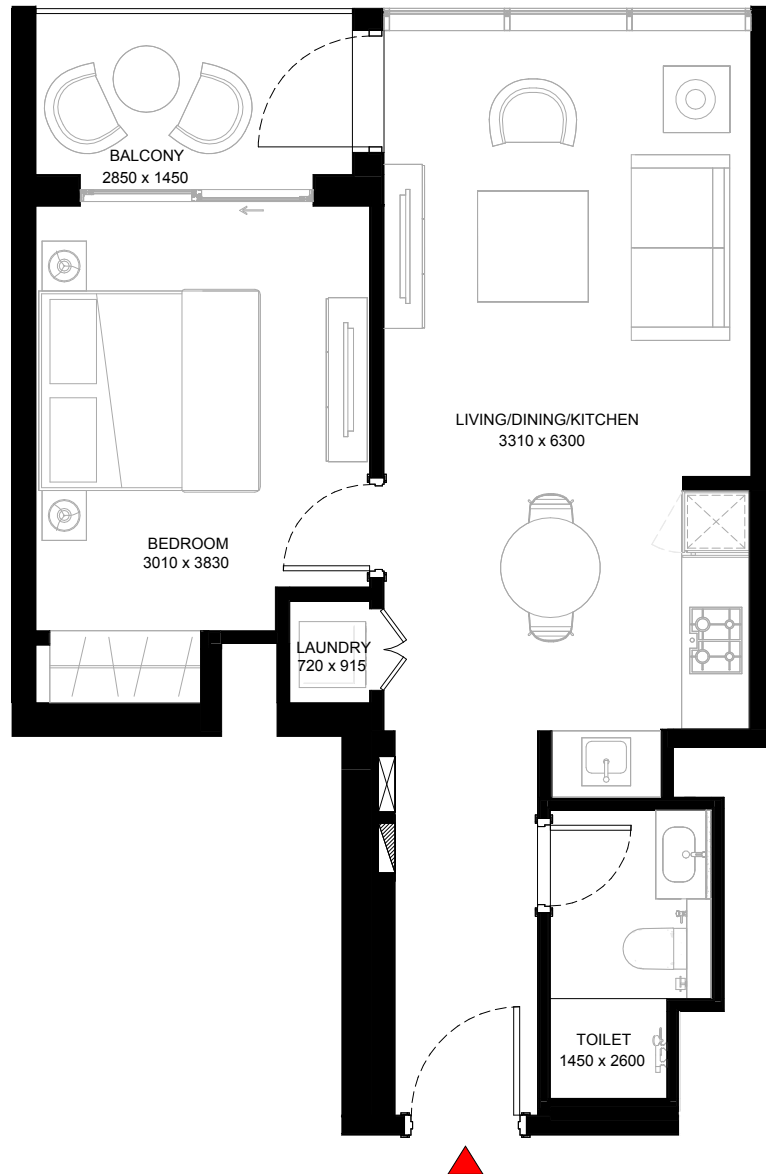
TYPE A (with balcony)

TOTAL SALEABLE AREA

SUITE = 553.48 SQ.FT.

BALCONY = 57.59 SQ.FT.

TOTAL = 611.07 SQ.FT.



List of unit numbers with this unit plan:

VIEWS

Burj Khalifa, Downtown

A101, A201, A301, A401, A501, A601, A701, A801

Burj Khalifa, Downtown, Dubai Water Canal

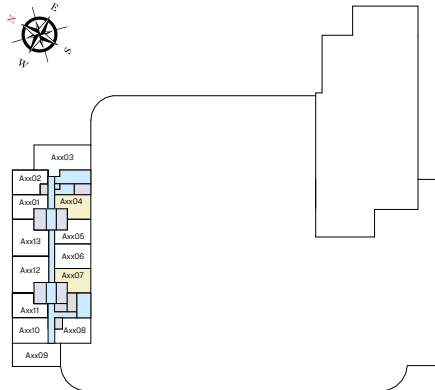
A901, A1001, A1101, A1201, A1301, A1401, A1501, A1601, A1701, A1801, A1901, A2001, A2101, A2201, A2301, A2401, A2501, A2601, A2801, A2901, A3001, A3101, A3201, A3301, A3401, A3501, A3601, A3701, A3801, A3901, A4001, A4101, A4201, A4301, A4401, A4501, A4601, A4701, A4801, A4901, A5001, A5101

Disclaimer: 1. All dimensions are in metric, measured to wall finishes. 2. All materials, dimensions & drawings are approximate. 3. Information is subject to change without notice, at developer's absolute discretion. 4. Actual area may vary from the stated area. 5. Drawing are not to scale. 6. All images used are for illustrative purpose only and do not represent the actual size, features, specifications, fittings and furnishings. 7. The developer reserves the right to make revisions/ alterations, at its absolute discretion, without any liability whatsoever.

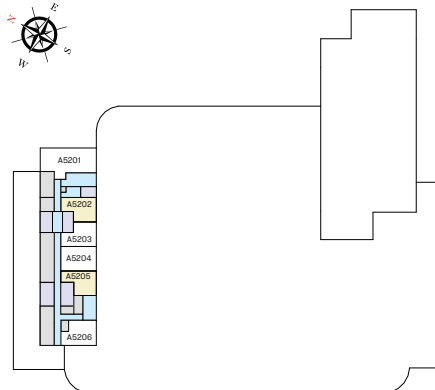
1 BEDROOM APARTMENT

TYPE A (with balcony) - VARIANT 1

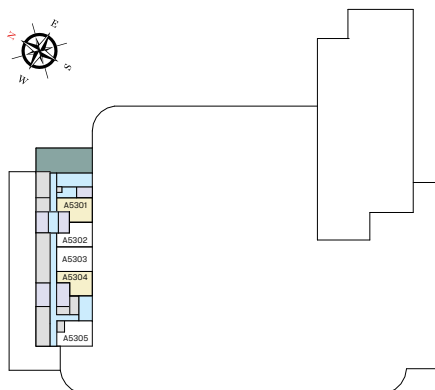
UNIT



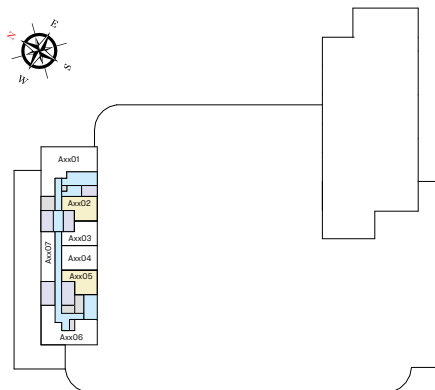
LEVEL 10 - 26 & 28 - 51



LEVEL 52



LEVEL 53



LEVEL 54 - 57

List of unit numbers with this unit plan:

VIEWS

Ras Al Khor Sanctuary, Hartland, Amenities

A1004, A1007, A1104, A1107, A1204, A1207, A1304, A1307

Ras Al Khor Sanctuary, Hartland

A1404, A1407, A1504, A1507, A1604, A1607, A1704, A1707, A1804, A1807, A1904, A1907, A2004, A2007, A2104, A2107, A2204, A2207, A2304, A2307, A2404, A2407, A2504, A2507, A2604, A2607, A2804, A2807, A2904, A2907, A3004, A3007, A3104, A3107, A3204, A3207, A3304, A3307, A3404, A3407, A3504, A3507, A3604, A3607, A3704, A3707, A3804, A3807, A3904, A3907, A4004, A4007, A4104, A4107, A4204, A4207, A4304, A4307, A4404, A4407, A4504, A4507, A4604, A4607, A4704, A4707, A4804, A4807, A4904, A4907, A5004, A5007, A5104, A5107, A5204, A5205, A5301, A5304, A5402, A5405, A5502, A5505, A5602, A5605, A5702, A5705

Disclaimer: 1. All dimensions are in metric, measured to wall finishes. 2. All materials, dimensions & drawings are approximate. 3. Information is subject to change without notice, at developer's absolute discretion. 4. Actual area may vary from the stated area. 5. Drawing are not to scale. 6. All images used are for illustrative purpose only and do not represent the actual size, features, specifications, fittings and furnishings. 7. The developer reserves the right to make revisions/ alterations, at its absolute discretion, without any liability whatsoever.

1 BEDROOM APARTMENT

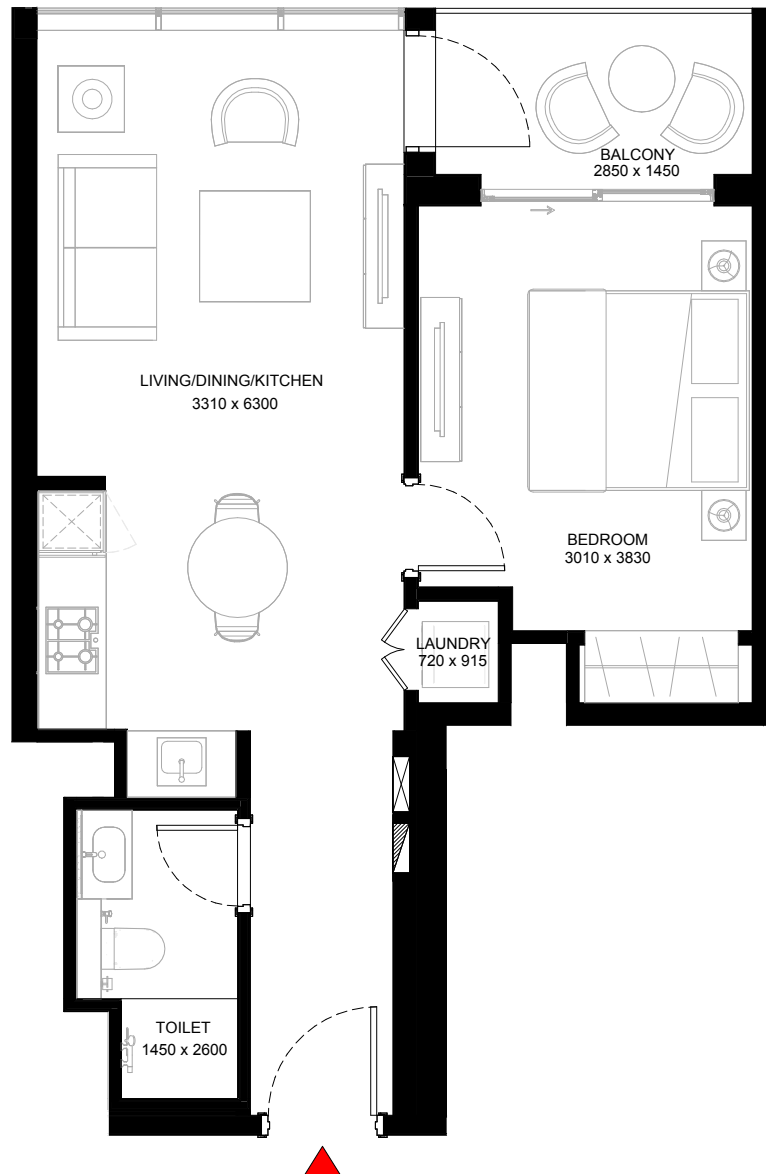
TYPE A (with balcony) - VARIANT 1

TOTAL SALEABLE AREA

SUITE = 553.48 SQ.FT.

BALCONY = 57.59 SQ.FT.

TOTAL = 611.07 SQ.FT.



List of unit numbers with this unit plan:

VIEWS

Ras Al Khor Sanctuary, Hartland, Amenities

A1004, A1007, A1104, A1107, A1204, A1207, A1304, A1307

Ras Al Khor Sanctuary, Hartland

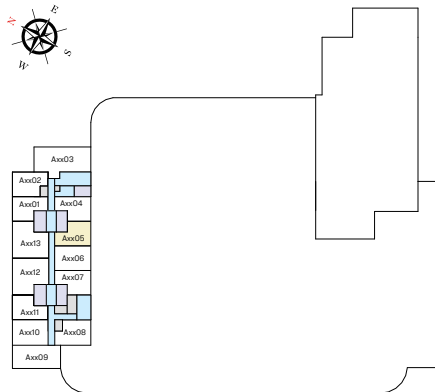
A1404, A1407, A1504, A1507, A1604, A1607, A1704, A1707, A1804, A1807, A1904, A1907, A2004, A2007, A2104, A2107, A2204, A2207, A2304, A2307, A2404, A2407, A2504, A2507, A2604, A2607, A2804, A2807, A2904, A2907, A3004, A3007, A3104, A3107, A3204, A3207, A3304, A3307, A3404, A3407, A3504, A3507, A3604, A3607, A3704, A3707, A3804, A3807, A3904, A3907, A4004, A4007, A4104, A4107, A4204, A4207, A4304, A4307, A4404, A4407, A4504, A4507, A4604, A4607, A4704, A4707, A4804, A4807, A4904, A4907, A5004, A5007, A5104, A5107, A5204, A5207, A5301, A5304, A5402, A5405, A5502, A5505, A5602, A5605, A5702, A5705

Disclaimer: 1. All dimensions are in metric, measured to wall finishes. 2. All materials, dimensions & drawings are approximate. 3. Information is subject to change without notice, at developer's absolute discretion. 4. Actual area may vary from the stated area. 5. Drawing are not to scale. 6. All images used are for illustrative purpose only and do not represent the actual size, features, specifications, fittings and furnishings. 7. The developer reserves the right to make revisions/ alterations, at its absolute discretion, without any liability whatsoever.

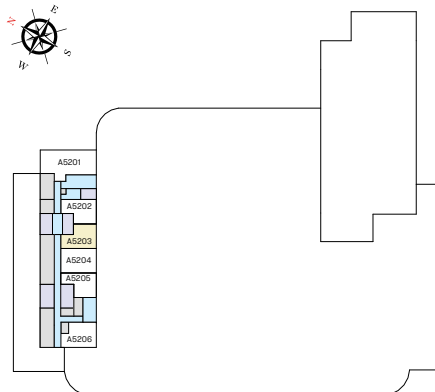
1 BEDROOM APARTMENT

TYPE A (with balcony) - VARIANT 2

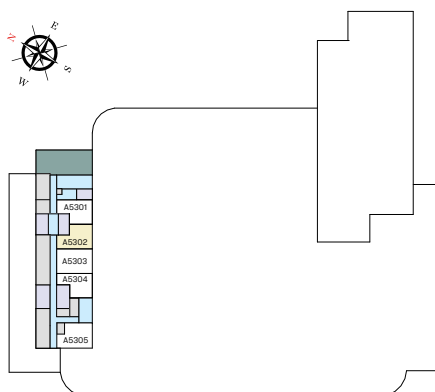
UNIT



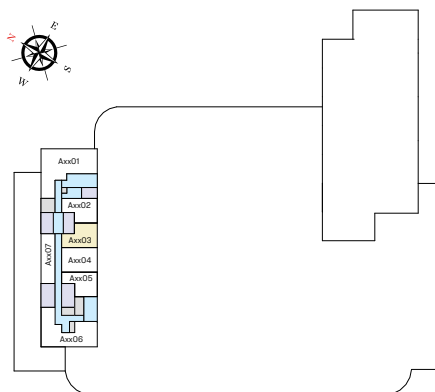
LEVEL 10 - 26 & 28 - 51



LEVEL 52



LEVEL 53



LEVEL 54 - 57

List of unit numbers with this unit plan:

VIEWS

Ras Al Khor Sanctuary, Hartland, Amenities

A1005, A1105, A1205, A1305

Ras Al Khor Sanctuary, Hartland

A1405, A1505, A1605, A1705, A1805, A1905, A2005, A2105, A2205, A2305, A2405, A2505, A2605, A2805, A2905, A3005, A3105, A3205, A3305, A3405, A3505, A3605, A3705, A3805, A3905, A4005, A4105, A4205, A4305, A4405, A4505, A4605, A4705, A4805, A4905, A5005, A5105, A5203, A5302, A5403, A5503, A5603, A5703

Disclaimer: 1. All dimensions are in metric, measured to wall finishes. 2. All materials, dimensions & drawings are approximate. 3. Information is subject to change without notice, at developer's absolute discretion. 4. Actual area may vary from the stated area. 5. Drawing are not to scale. 6. All images used are for illustrative purpose only and do not represent the actual size, features, specifications, fittings and furnishings. 7. The developer reserves the right to make revisions/ alterations, at its absolute discretion, without any liability whatsoever.

1 BEDROOM APARTMENT

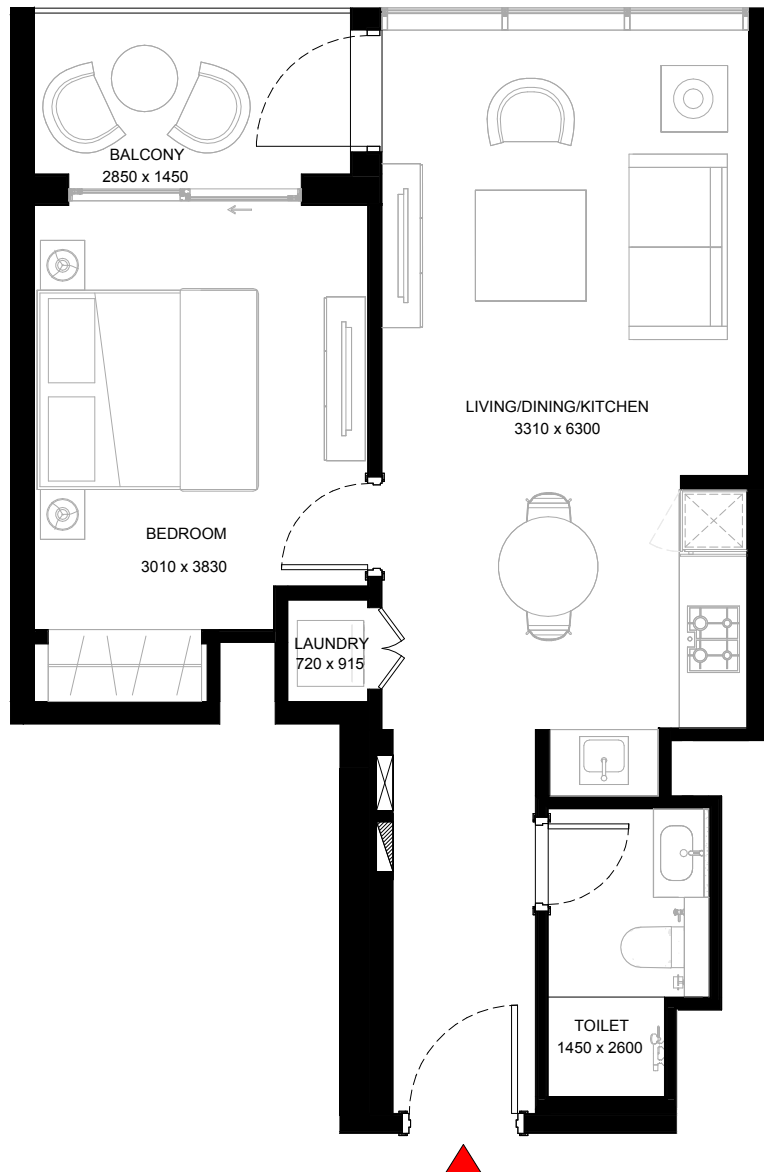
TYPE A (with balcony) - VARIANT 2

TOTAL SALEABLE AREA

SUITE = 553.48 SQ.FT.

BALCONY = 57.59 SQ.FT.

TOTAL = 611.07 SQ.FT.



List of unit numbers with this unit plan:

VIEWS

Ras Al Khor Sanctuary, Hartland, Amenities
A1005, A1105, A1205, A1305

Ras Al Khor Sanctuary, Hartland

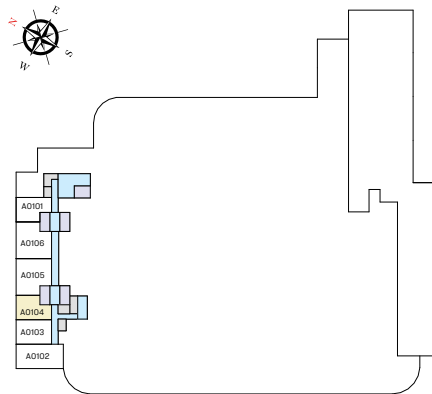
A1405, A1505, A1605, A1705, A1805, A1905, A2005, A2105, A2205, A2305, A2405, A2505, A2605, A2805, A2905, A3005, A3105, A3205, A3305, A3405, A3505, A3605, A3705, A3805, A3905, A4005, A4105, A4205, A4305, A4405, A4505, A4605, A4705, A4805, A4905, A5005, A5105, A5203, A5302, A5403, A5503, A5603, A5703

Disclaimer: 1. All dimensions are in metric, measured to wall finishes. 2. All materials, dimensions & drawings are approximate. 3. Information is subject to change without notice, at developer's absolute discretion. 4. Actual area may vary from the stated area. 5. Drawing are not to scale. 6. All images used are for illustrative purpose only and do not represent the actual size, features, specifications, fittings and furnishings. 7. The developer reserves the right to make revisions/ alterations, at its absolute discretion, without any liability whatsoever.

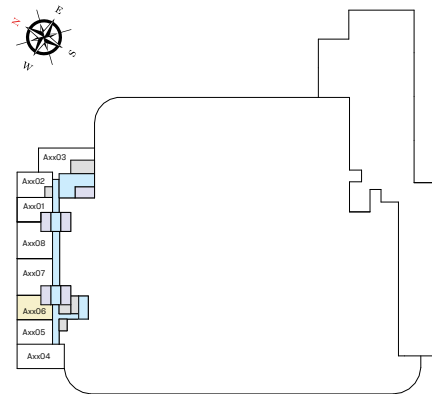
1 BEDROOM APARTMENT

TYPE A (with balcony) - VARIANT 3

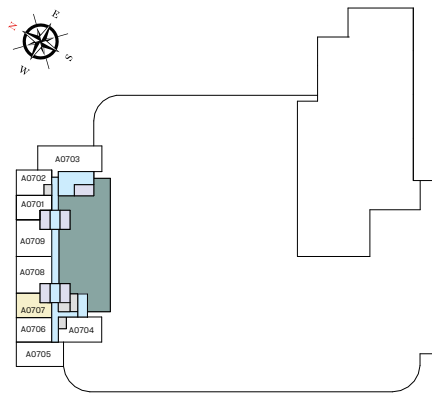
UNIT



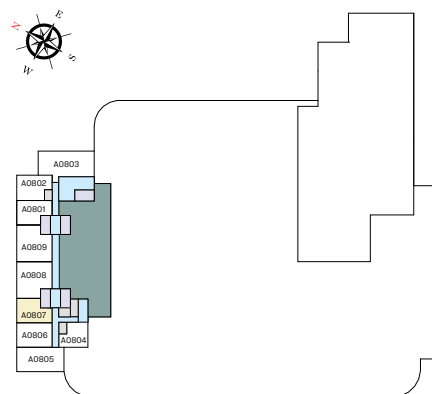
LEVEL 01



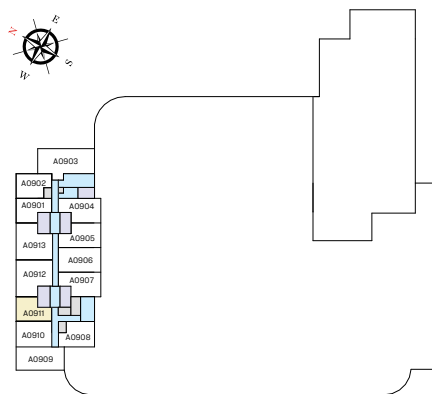
LEVEL 02 - 06



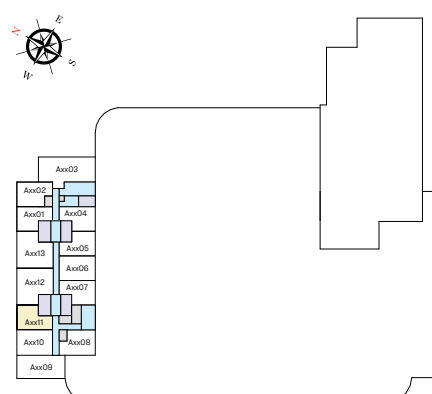
LEVEL 07



LEVEL 08



LEVEL 09



LEVEL 10 - 26 & 28 - 51

List of unit numbers with this unit plan:

VIEWS

Burj Khalifa, Downtown

A104, A206, A306, A406, A506, A606, A707, A807

Burj Khalifa, Downtown, Dubai Water Canal

A911, A1011, A1111, A1211, A1311, A1411, A1511, A1611, A1711, A1811, A1911, A2011, A2111, A2211, A2311, A2411, A2511, A2611, A2811, A2911, A3011, A3111, A3211, A3311, A3411, A3511, A3611, A3711, A3811, A3911, A4011, A4111, A4211, A4311, A4411, A4511, A4611, A4711, A4811, A4911, A5011, A5111

Disclaimer: 1. All dimensions are in metric, measured to wall finishes. 2. All materials, dimensions & drawings are approximate. 3. Information is subject to change without notice, at developer's absolute discretion. 4. Actual area may vary from the stated area. 5. Drawing are not to scale. 6. All images used are for illustrative purpose only and do not represent the actual size, features, specifications, fittings and furnishings. 7. The developer reserves the right to make revisions/ alterations, at its absolute discretion, without any liability whatsoever.

1 BEDROOM APARTMENT

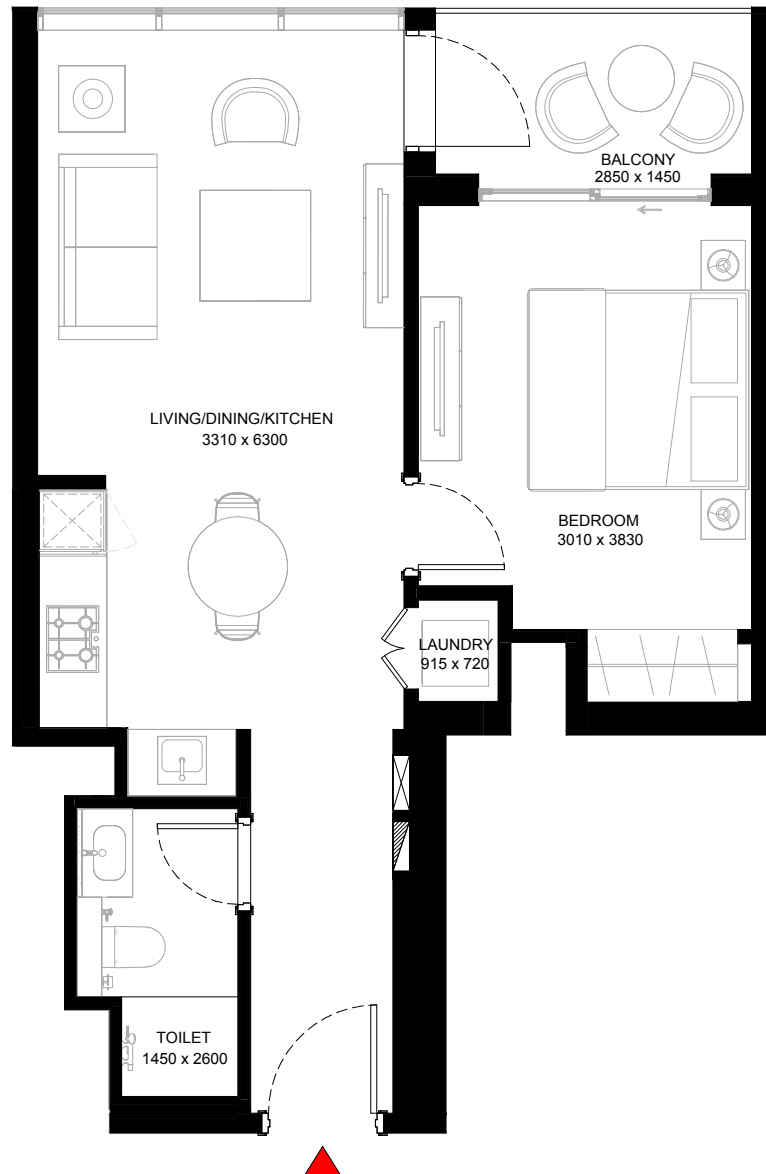
TYPE A (with balcony) - VARIANT 3

TOTAL SALEABLE AREA

SUITE = 553.48 SQ.FT.

BALCONY = 57.59 SQ.FT.

TOTAL = 611.07 SQ.FT.



List of unit numbers with this unit plan:

VIEWS

Burj Khalifa, Downtown

A104, A206, A306, A406, A506, A606, A707, A807

Burj Khalifa, Downtown, Dubai Water Canal

A911, A1011, A1111, A1211, A1311, A1411, A1511, A1611, A1711, A1811, A1911, A2011, A2111, A2211, A2311, A2411, A2511, A2611, A2811, A2911, A3011, A3111, A3211, A3311, A3411, A3511, A3611, A3711, A3811, A3911, A4011, A4111, A4211, A4311, A4411, A4511, A4611, A4711, A4811, A4911, A5011, A5111

Disclaimer: 1. All dimensions are in metric, measured to wall finishes. 2. All materials, dimensions & drawings are approximate. 3. Information is subject to change without notice, at developer's absolute discretion. 4. Actual area may vary from the stated area. 5. Drawing are not to scale. 6. All images used are for illustrative purpose only and do not represent the actual size, features, specifications, fittings and furnishings. 7. The developer reserves the right to make revisions/ alterations, at its absolute discretion, without any liability whatsoever.

1 BEDROOM APARTMENT

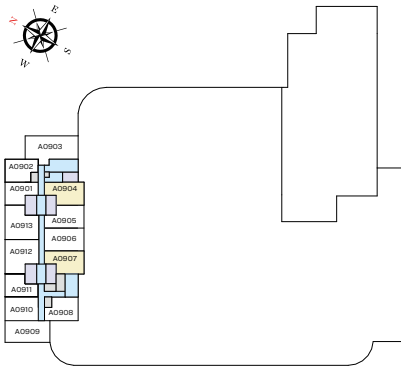
TYPE A (with yard) - VARIANT 4

TOTAL SALEABLE AREA

SUITE RANGE = 552.51 - 552.62 SQ.FT.

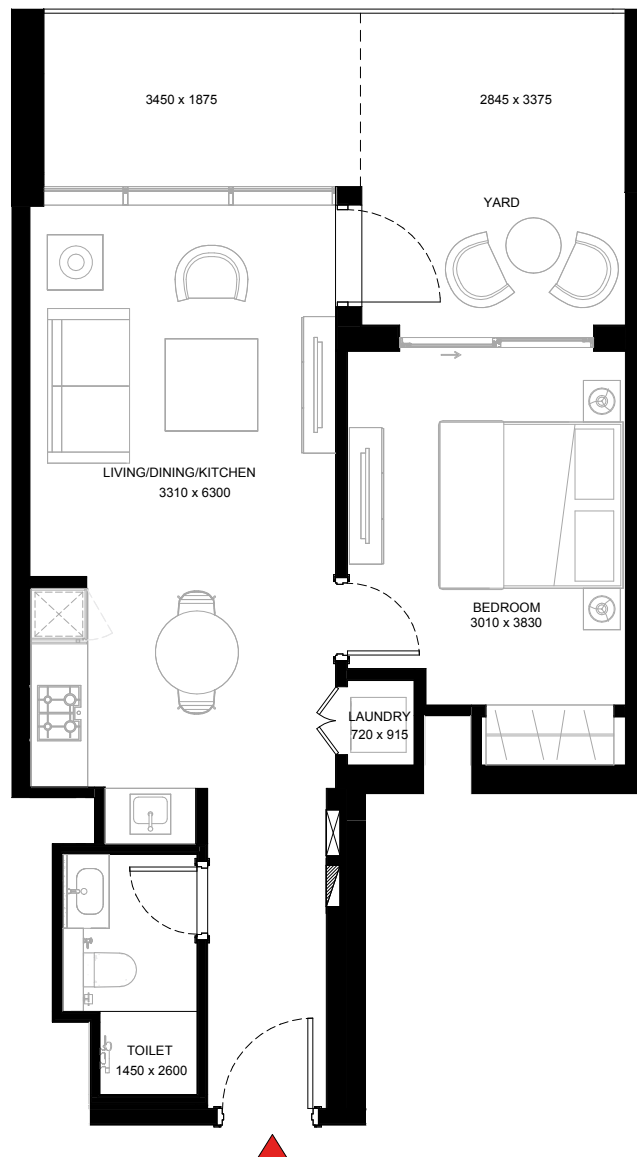
YARD RANGE = 200.96 - 201.07SQ.FT.

TOTAL = 753.58 SQ.FT.



LEVEL 09

UNIT



List of unit numbers with this unit plan:

VIEWS

Amenities

A904, A907

Disclaimer: 1. All dimensions are in metric, measured to wall finishes. 2. All materials, dimensions & drawings are approximate. 3. Information is subject to change without notice, at developer's absolute discretion. 4. Actual area may vary from the stated area. 5. Drawing are not to scale. 6. All images used are for illustrative purpose only and do not represent the actual size, features, specifications, fittings and furnishings. 7. The developer reserves the right to make revisions/ alterations, at its absolute discretion, without any liability whatsoever.

1 BEDROOM APARTMENT

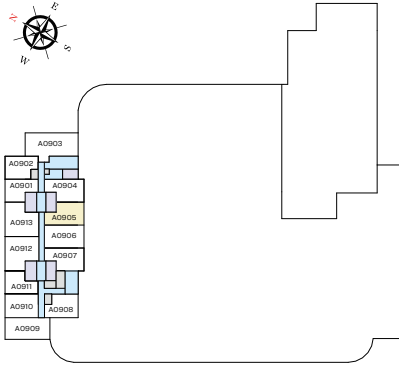
TYPE A (with yard) - VARIANT 5

TOTAL SALEABLE AREA

SUITE = 552.51 SQ.FT.

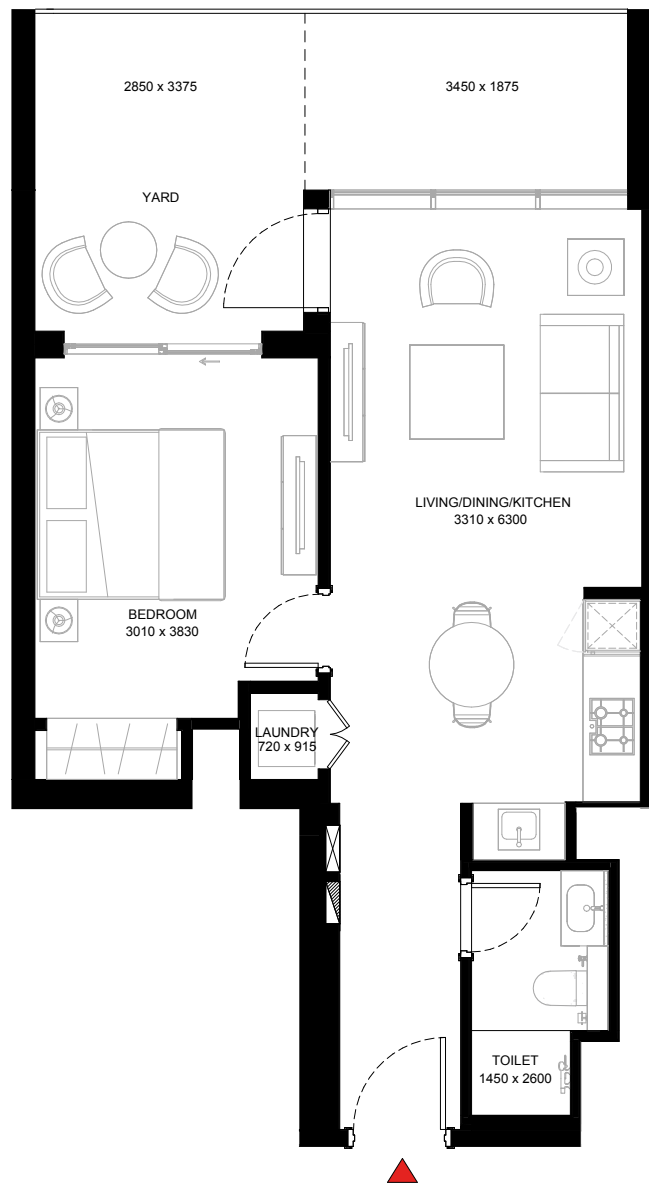
YARD = 201.07 SQ.FT.

TOTAL = 753.58 SQ.FT.



LEVEL 09

UNIT



List of unit numbers with this unit plan:

VIEWS

Amenities

905

Disclaimer: 1. All dimensions are in metric, measured to wall finishes. 2. All materials, dimensions & drawings are approximate. 3. Information is subject to change without notice, at developer's absolute discretion. 4. Actual area may vary from the stated area. 5. Drawing are not to scale. 6. All images used are for illustrative purpose only and do not represent the actual size, features, specifications, fittings and furnishings. 7. The developer reserves the right to make revisions/ alterations, at its absolute discretion, without any liability whatsoever.

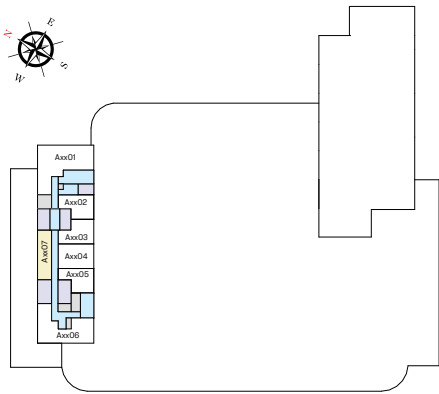
1 BEDROOM APARTMENT

TYPE B

TOTAL SALEABLE AREA

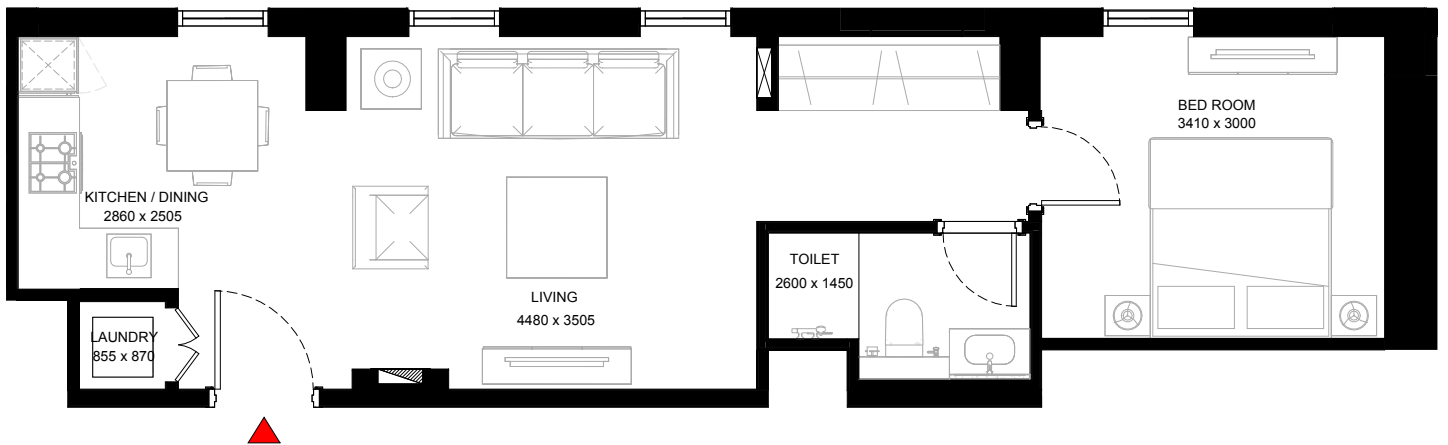
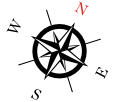
SUITE = 529.26 SQ.FT.

TOTAL = 529.26 SQ.FT.



LEVEL 54 - 57

UNIT



List of unit numbers with this unit plan:

VIEWS

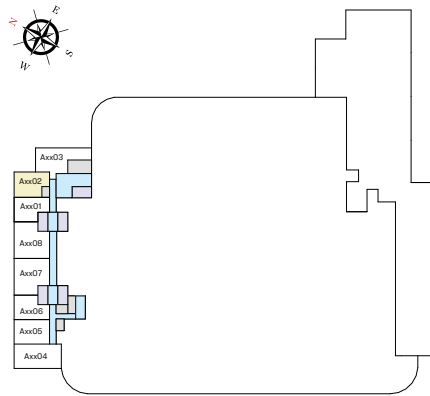
Burj Khalifa, Downtown, Dubai Water Canal
A5407, A5507, A5607, A5707

Disclaimer: 1. All dimensions are in metric, measured to wall finishes. 2. All materials, dimensions & drawings are approximate. 3. Information is subject to change without notice, at developer's absolute discretion. 4. Actual area may vary from the stated area. 5. Drawing are not to scale. 6. All images used are for illustrative purpose only and do not represent the actual size, features, specifications, fittings and furnishings. 7. The developer reserves the right to make revisions/ alterations, at its absolute discretion, without any liability whatsoever.

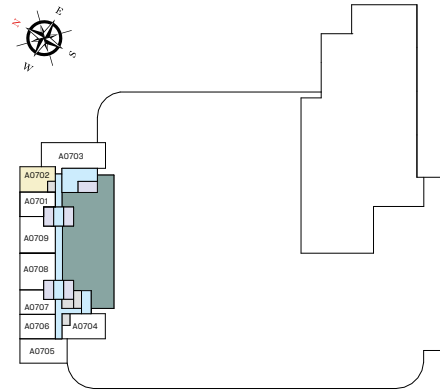
1 BEDROOM APARTMENT

TYPE C (with balcony)

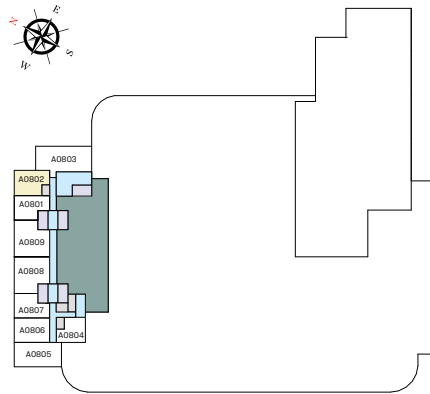
UNIT



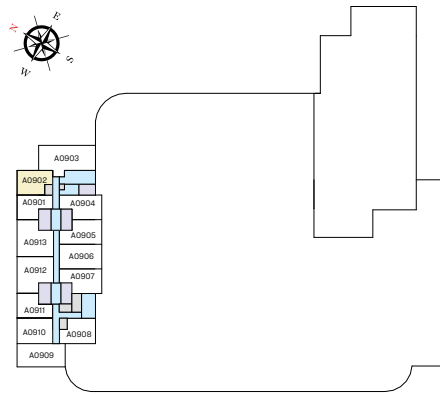
LEVEL 02 - 06



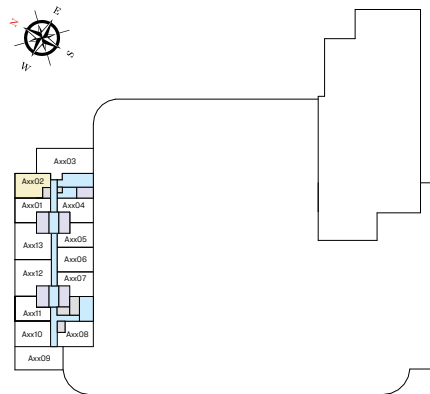
LEVEL 07



LEVEL 08



LEVEL 09



LEVEL 10 - 26 & 28 - 51

List of unit numbers with this unit plan:

VIEWS

Burj Khalifa, Downtown

A202, A302, A402, A502, A602

Burj Khalifa, Downtown, Ras Al Khor Sanctuary

A702, A802

Burj Khalifa, Downtown, Dubai Water Canal, Ras Al Khor Sanctuary

A902, A1002, A1102, A1202, A1302, A1402, A1502, A1602, A1702, A1802, A1902, A2002, A2102, A2202, A2302, A2402, A2502, A2602, A2802, A2902, A3002, A3102, A3202, A3302, A3402, A3502, A3602, A3702, A3802, A3902, A4002, A4102, A4202, A4302, A4402, A4502, A4602, A4702, A4802, A4902, A5002, A5102

Disclaimer: 1. All dimensions are in metric, measured to wall finishes. 2. All materials, dimensions & drawings are approximate. 3. Information is subject to change without notice, at developer's absolute discretion. 4. Actual area may vary from the stated area. 5. Drawing are not to scale. 6. All images used are for illustrative purpose only and do not represent the actual size, features, specifications, fittings and furnishings. 7. The developer reserves the right to make revisions/ alterations, at its absolute discretion, without any liability whatsoever.

1 BEDROOM APARTMENT

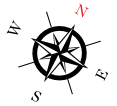
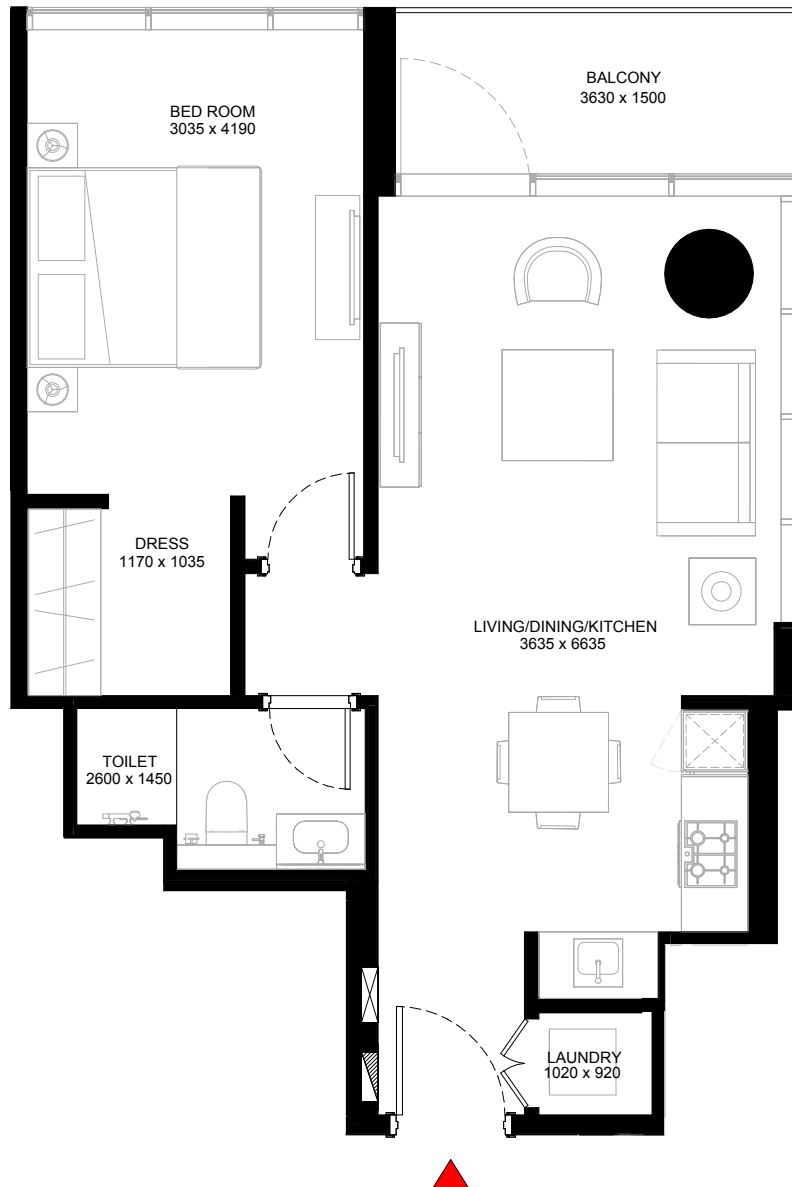
TYPE C (with balcony)

TOTAL SALEABLE AREA

SUITE RANGE = 590.40 - 599.23 SQ.FT.

BALCONY RANGE = 59.63 - 61.78 SQ.FT.

TOTAL RANGE = 650.03 - 661.01 SQ.FT.



List of unit numbers with this unit plan:

VIEWS

Burj Khalifa, Downtown

A202, A302, A402, A502, A602

Burj Khalifa, Downtown, Ras Al Khor Sanctuary

A702, A802

Burj Khalifa, Downtown, Dubai Water Canal, Ras Al Khor Sanctuary

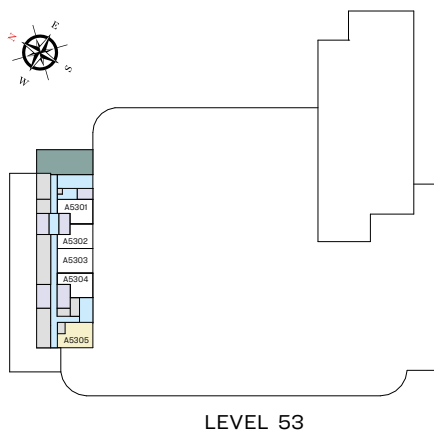
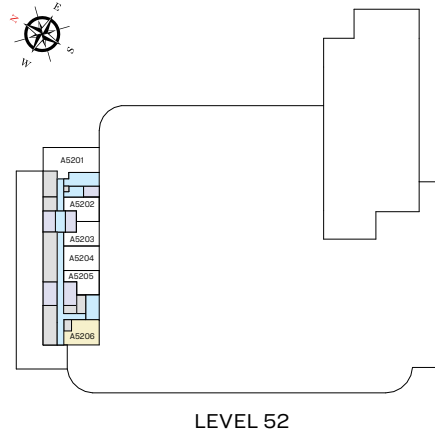
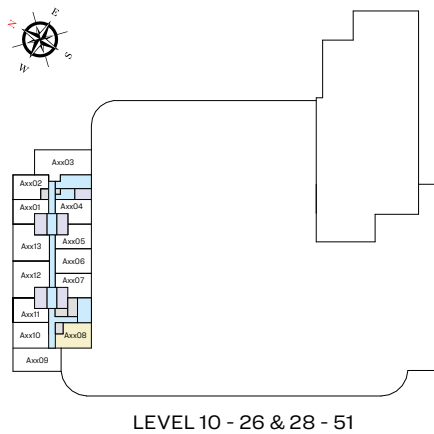
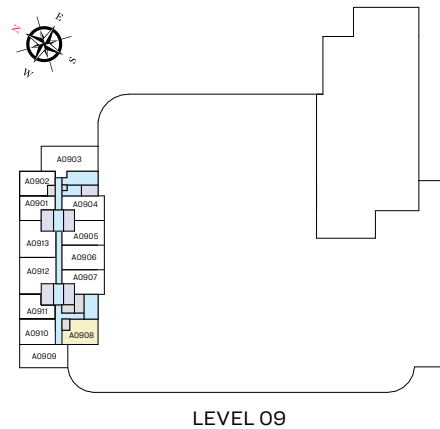
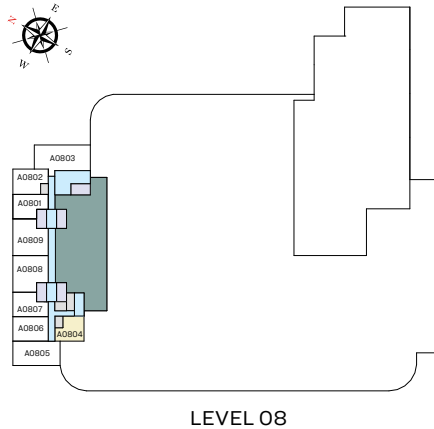
A902, A1002, A1102, A1202, A1302, A1402, A1502, A1602, A1702, A1802, A1902, A2002, A2102, A2202, A2302, A2402, A2502, A2602, A2802, A2902, A3002, A3102, A3202, A3302, A3402, A3502, A3602, A3702, A3802, A3902, A4002, A4102, A4202, A4302, A4402, A4502, A4602, A4702, A4802, A4902, A5002, A5102

Disclaimer: 1. All dimensions are in metric, measured to wall finishes. 2. All materials, dimensions & drawings are approximate. 3. Information is subject to change without notice, at developer's absolute discretion. 4. Actual area may vary from the stated area. 5. Drawing are not to scale. 6. All images used are for illustrative purpose only and do not represent the actual size, features, specifications, fittings and furnishings. 7. The developer reserves the right to make revisions/ alterations, at its absolute discretion, without any liability whatsoever.

1 BEDROOM APARTMENT

TYPE C (with balcony) - VARIANT 1

UNIT



List of unit numbers with this unit plan:

VIEWS

Hartland, Amenities

A804

Ras Al Khor Sanctuary, Hartland, Amenities

A908, A1008, A1108, A1208, A1308

Ras Al Khor Sanctuary, Hartland

A1408, A1508, A1608, A1708, A1808, A1908, A2008, A2108, A2208, A2308, A2408, A2508, A2608, A2808, A2908, A3008, A3108, A3208, A3308, A3408, A3508, A3608, A3708, A3808, A3908, A4008, A4108, A4208, A4308, A4408, A4508, A4608, A4708, A4808, A4908, A5008, A5108, A5206, A5305

Disclaimer: 1. All dimensions are in metric, measured to wall finishes. 2. All materials, dimensions & drawings are approximate. 3. Information is subject to change without notice, at developer's absolute discretion. 4. Actual area may vary from the stated area. 5. Drawing are not to scale. 6. All images used are for illustrative purpose only and do not represent the actual size, features, specifications, fittings and furnishings. 7. The developer reserves the right to make revisions/ alterations, at its absolute discretion, without any liability whatsoever.

1 BEDROOM APARTMENT

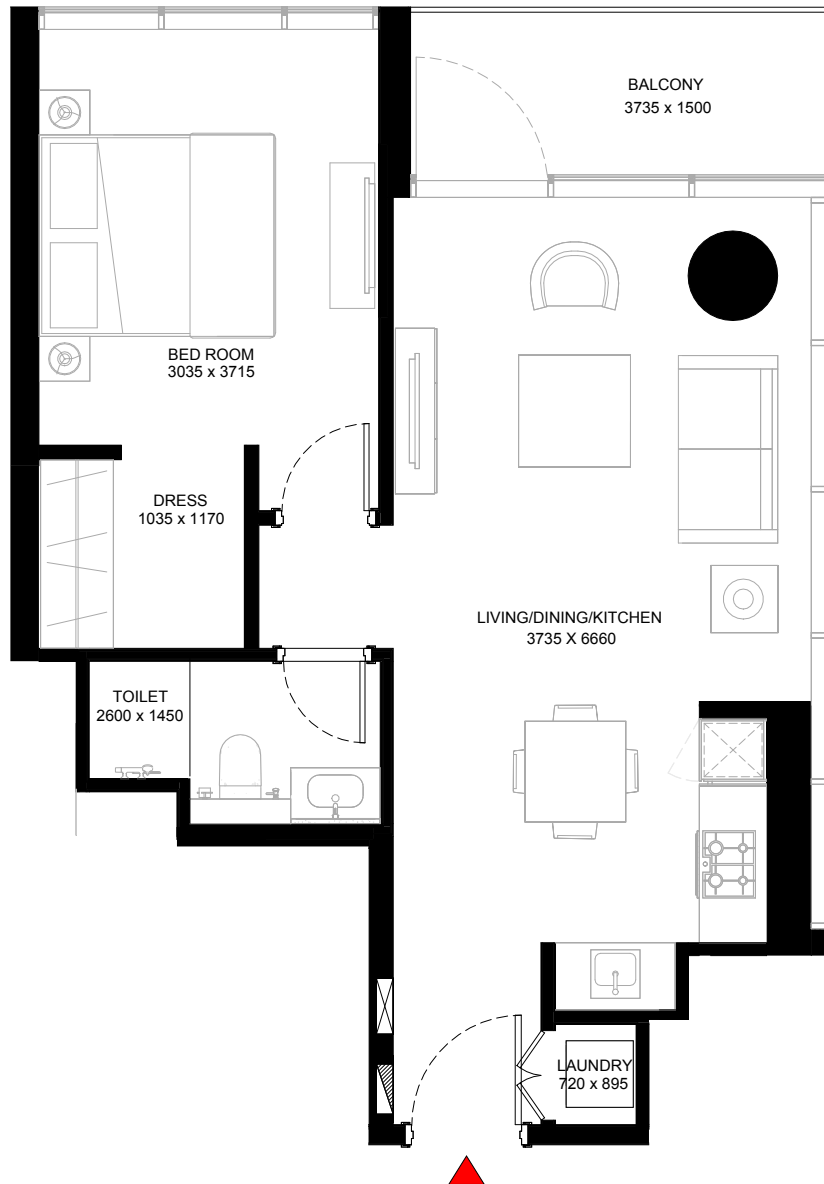
TYPE C (with balcony) - VARIANT 1

TOTAL SALEABLE AREA

SUITE = 588.25 SQ.FT.

BALCONY = 61.35 SQ.FT.

TOTAL = 649.60 SQ.FT.



List of unit numbers with this unit plan:

VIEWS

Hartland, Amenities
A804

Ras Al Khor Sanctuary, Hartland, Amenities
A908, A1008, A1108, A1208, A1308

Ras Al Khor Sanctuary, Hartland
A1408, A1508, A1608, A1708, A1808, A1908, A2008, A2108, A2208, A2308, A2408, A2508, A2608, A2808, A2908, A3008, A3108, A3208, A3308,
A3408, A3508, A3608, A3708, A3808, A3908, A4008, A4108, A4208, A4308, A4408, A4508, A4608, A4708, A4808, A4908, A5008, A5108,
A5206, A5305

Disclaimer: 1. All dimensions are in metric, measured to wall finishes. 2. All materials, dimensions & drawings are approximate. 3. Information is subject to change without notice, at developer's absolute discretion. 4. Actual area may vary from the stated area. 5. Drawing are not to scale. 6. All images used are for illustrative purpose only and do not represent the actual size, features, specifications, fittings and furnishings. 7. The developer reserves the right to make revisions/ alterations, at its absolute discretion, without any liability whatsoever.

1 BEDROOM APARTMENT

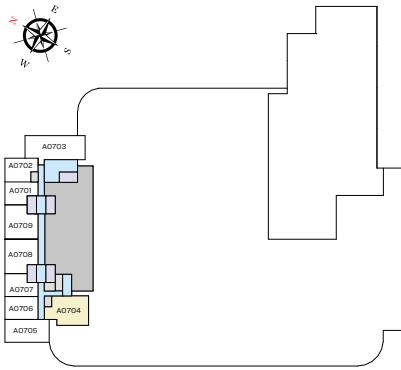
TYPE C (with yard) - VARIANT 2

TOTAL SALEABLE AREA

SUITE = 586.74 SQ.FT.

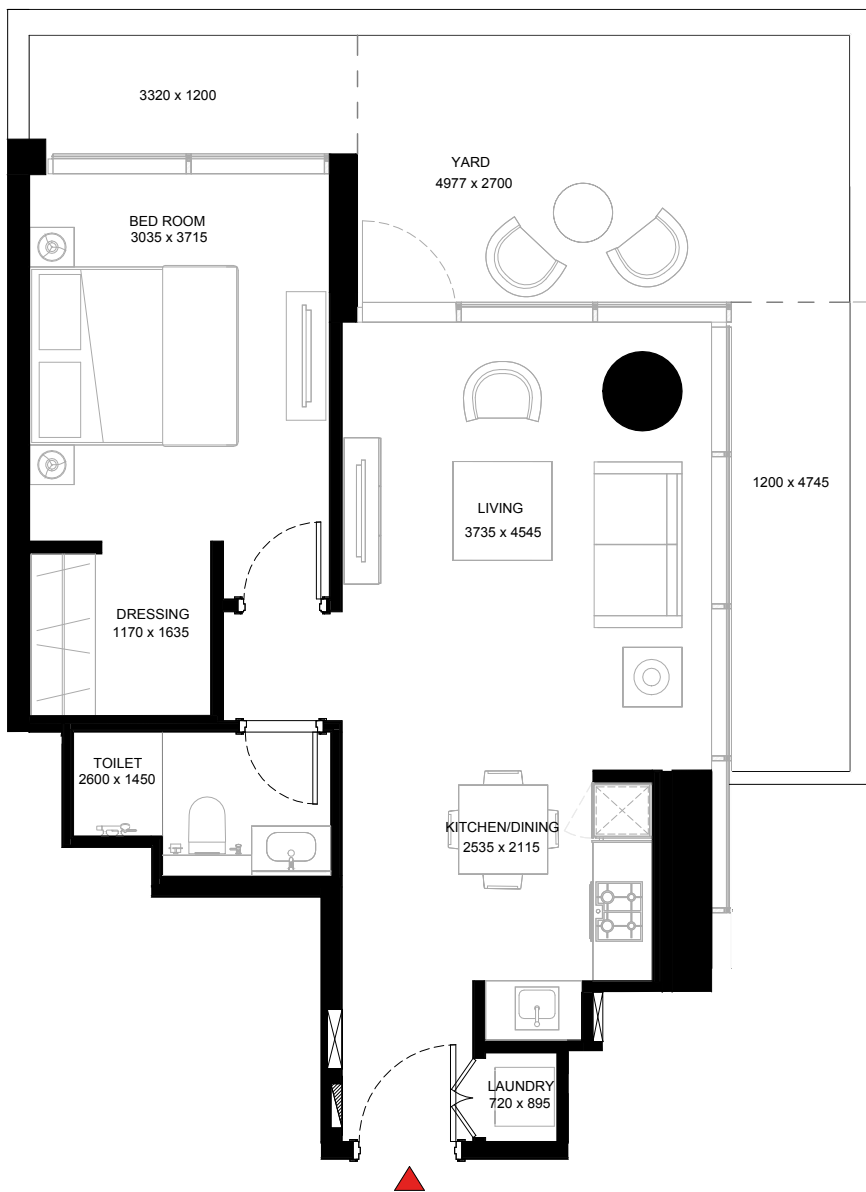
YARD = 281.80 SQ.FT.

TOTAL = 868.54 SQ.FT.



LEVEL 07

UNIT



List of unit numbers with this unit plan:

VIEWS

Amenities

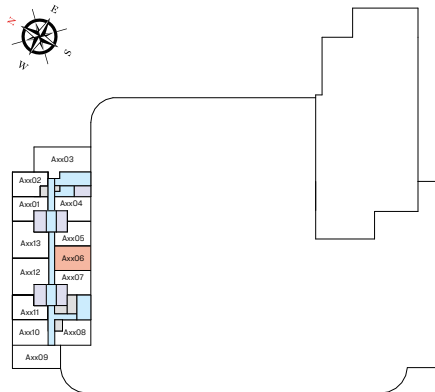
A704

Disclaimer: 1. All dimensions are in metric, measured to wall finishes. 2. All materials, dimensions & drawings are approximate. 3. Information is subject to change without notice, at developer's absolute discretion. 4. Actual area may vary from the stated area. 5. Drawing are not to scale. 6. All images used are for illustrative purpose only and do not represent the actual size, features, specifications, fittings and furnishings. 7. The developer reserves the right to make revisions/ alterations, at its absolute discretion, without any liability whatsoever.

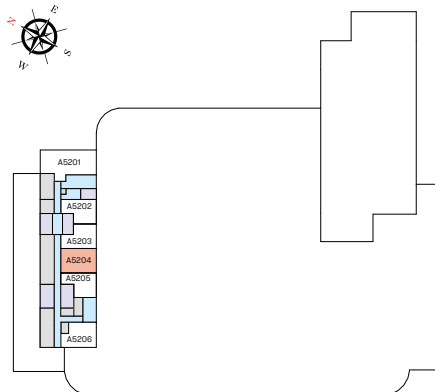
1.5 BEDROOM APARTMENT

TYPE A (with study and powder room + balcony)

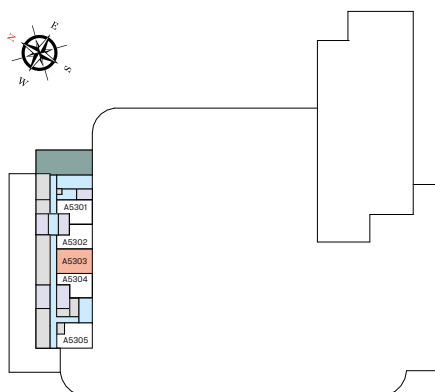
UNIT



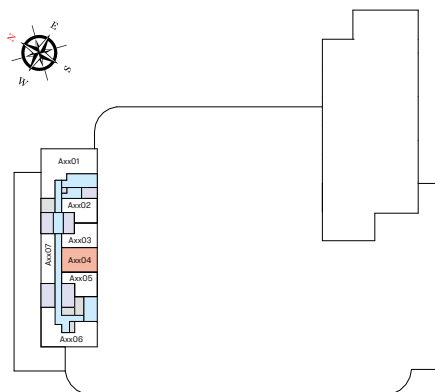
LEVEL 10 - 26 & 28 - 51



LEVEL 52



LEVEL 53



LEVEL 54 - 57

List of unit numbers with this unit plan:

VIEWS

Ras Al Khor Sanctuary, Hartland, Amenities

A1006, A1106, A1206, A1306

Ras Al Khor Sanctuary, Hartland

A1406, A1506, A1606, A1706, A1806, A1906, A2006, A2106, A2206, A2306, A2406, A2506, A2606, A2806, A2906, A3006, A3106, A3206, A3306, A3406, A3506, A3606, A3706, A3806, A3906, A4006, A4106, A4206, A4306, A4406, A4506, A4606, A4706, A4806, A4906, A5006, A5106, A5204, A5303, A5404, A5504, A5604, A5704

Disclaimer: 1. All dimensions are in metric, measured to wall finishes. 2. All materials, dimensions & drawings are approximate. 3. Information is subject to change without notice, at developer's absolute discretion. 4. Actual area may vary from the stated area. 5. Drawing are not to scale. 6. All images used are for illustrative purpose only and do not represent the actual size, features, specifications, fittings and furnishings. 7. The developer reserves the right to make revisions/ alterations, at its absolute discretion, without any liability whatsoever.

1.5 BEDROOM APARTMENT

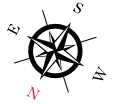
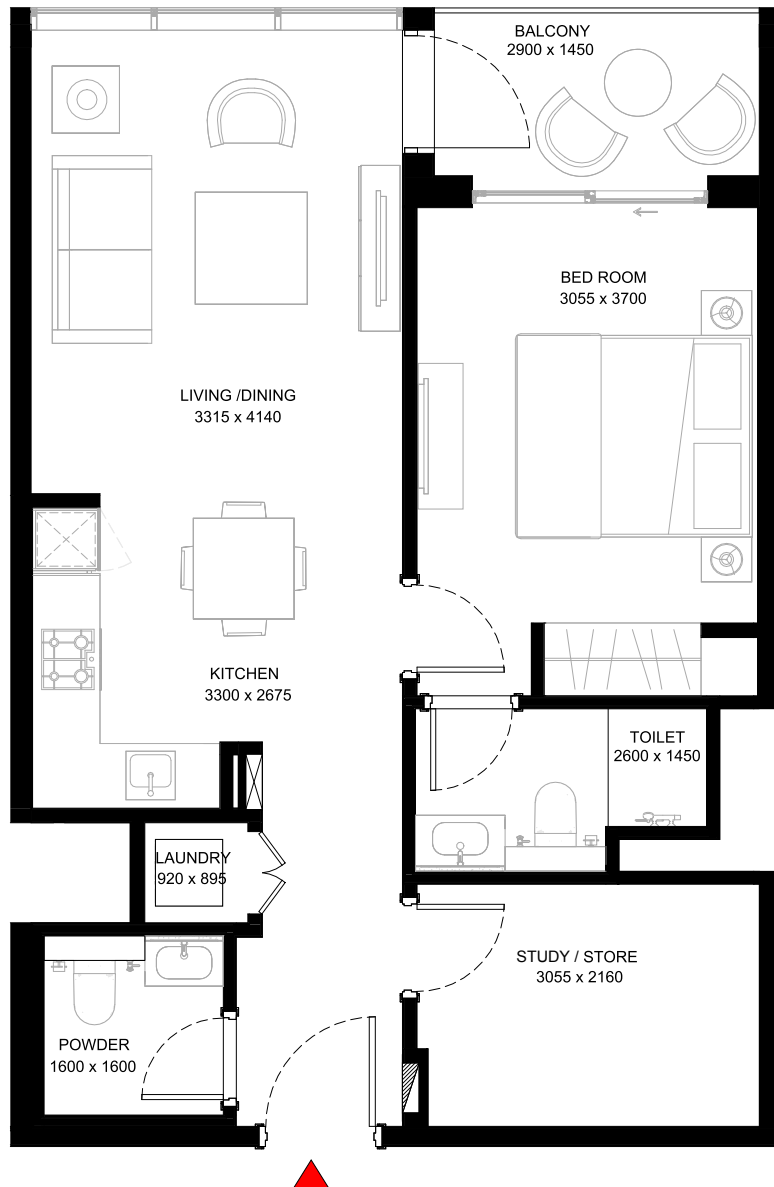
TYPE A (with study and powder room + balcony)

TOTAL SALEABLE AREA

SUITE = 661.87 SQ.FT.

BALCONY = 57.59 SQ.FT.

TOTAL = 719.46 SQ.FT.



List of unit numbers with this unit plan:

VIEWS

Ras Al Khor Sanctuary, Hartland, Amenities
A1006, A1106, A1206, A1306

Ras Al Khor Sanctuary, Hartland

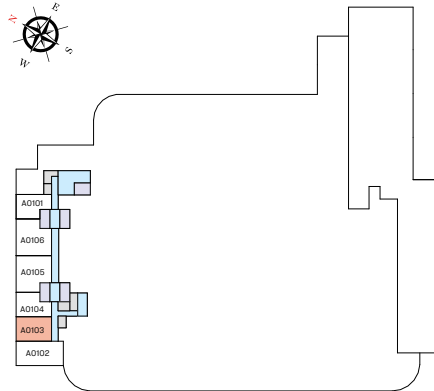
A1406, A1506, A1606, A1706, A1806, A1906, A2006, A2106, A2206, A2306, A2406, A2506, A2606, A2806, A2906, A3006, A3106, A3206, A3306, A3406, A3506, A3606, A3706, A3806, A3906, A4006, A4106, A4206, A4306, A4406, A4506, A4606, A4706, A4806, A4906, A5006, A5106, A5204, A5303, A5404, A5504, A5604, A5704

Disclaimer: 1. All dimensions are in metric, measured to wall finishes. 2. All materials, dimensions & drawings are approximate. 3. Information is subject to change without notice, at developer's absolute discretion. 4. Actual area may vary from the stated area. 5. Drawing are not to scale. 6. All images used are for illustrative purpose only and do not represent the actual size, features, specifications, fittings and furnishings. 7. The developer reserves the right to make revisions/ alterations, at its absolute discretion, without any liability whatsoever.

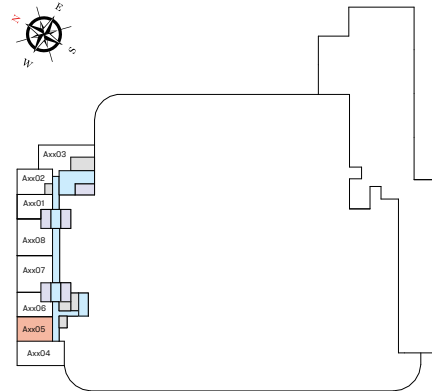
1.5 BEDROOM APARTMENT

TYPE A (with study and powder room + balcony) - VARIANT 1

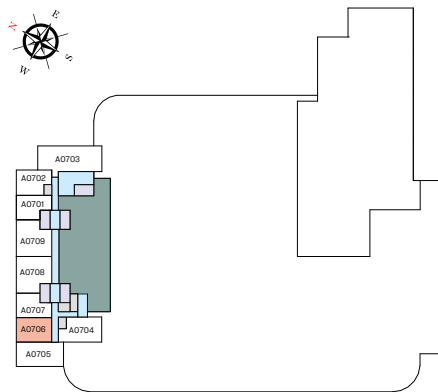
UNIT



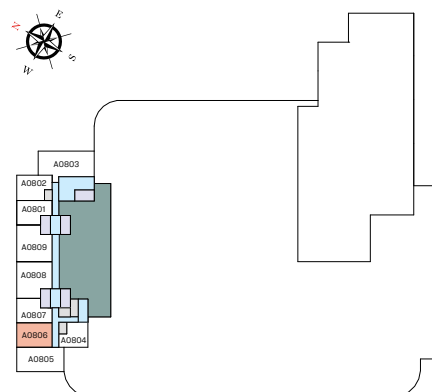
LEVEL 01



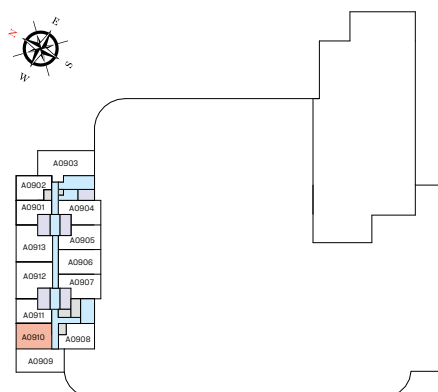
LEVEL 02 - 06



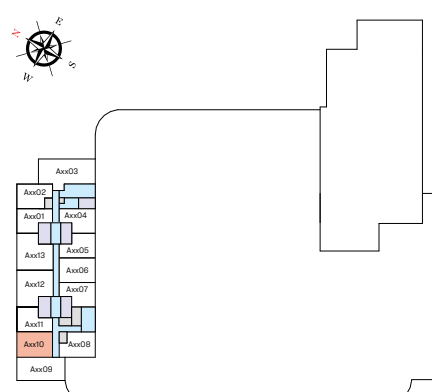
LEVEL 07



LEVEL 08



LEVEL 09



LEVEL 10 - 26 & 28 - 51

List of unit numbers with this unit plan:

VIEWS

Burj Khalifa, Downtown

A103,A205,A305,A405,A505,A605,A706,A806

Burj Khalifa, Downtown, Dubai Water Canal

A910, A1010, A1110, A1210, A1310, A1410, A1510, A1610, A1710, A1810, A1910, A2010, A2110, A2210, A2310, A2410, A2510, A2610, A2810, A2910, A3010, A3110, A3210, A3310, A3410, A3510, A3610, A3710, A3810, A3910, A4010, A4110, A4210, A4310, A4410, A4510, A4610, A4710, A4810, A4910, A5010, A5110

Disclaimer: 1. All dimensions are in metric, measured to wall finishes. 2. All materials, dimensions & drawings are approximate. 3. Information is subject to change without notice, at developer's absolute discretion. 4. Actual area may vary from the stated area. 5. Drawing are not to scale. 6. All images used are for illustrative purpose only and do not represent the actual size, features, specifications, fittings and furnishings. 7. The developer reserves the right to make revisions/ alterations, at its absolute discretion, without any liability whatsoever.

1.5 BEDROOM APARTMENT

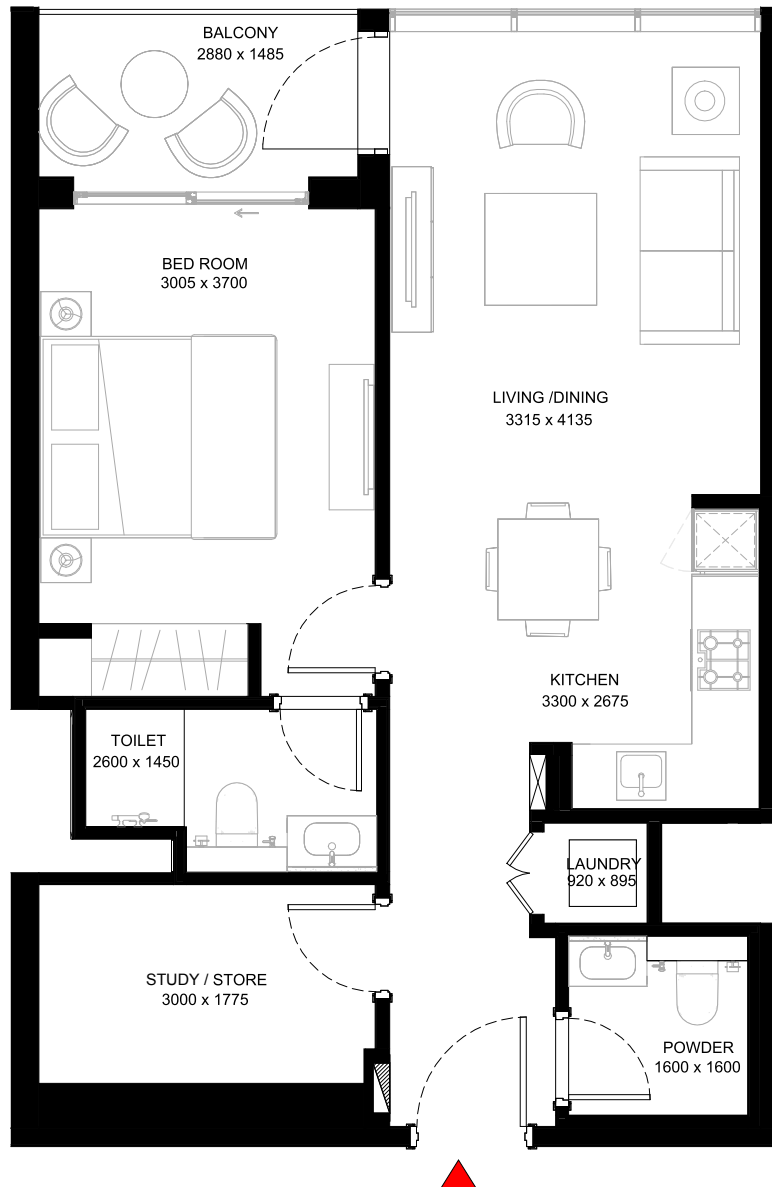
TYPE A (with study and powder room + balcony) - VARIANT 1

TOTAL SALEABLE AREA

SUITE = 661.77 SQ.FT.

BALCONY = 57.59 SQ.FT.

TOTAL = 719.36 SQ.FT.



List of unit numbers with this unit plan:

VIEWS

Burj Khalifa, Downtown

A103,A205,A305,A405,A505,A605,A706,A806

Burj Khalifa, Downtown, Dubai Water Canal

A910, A1010, A1110, A1210, A1310, A1410, A1510, A1610, A1710, A1810, A1910, A2010, A2110, A2210, A2310, A2410, A2510, A2610, A2810, A2910, A3010, A3110, A3210, A3310, A3410, A3510, A3610, A3710, A3810, A3910, A4010, A4110, A4210, A4310, A4410, A4510, A4610, A4710, A4810, A4910, A5010, A5110

Disclaimer: 1. All dimensions are in metric, measured to wall finishes. 2. All materials, dimensions & drawings are approximate. 3. Information is subject to change without notice, at developer's absolute discretion. 4. Actual area may vary from the stated area. 5. Drawing are not to scale. 6. All images used are for illustrative purpose only and do not represent the actual size, features, specifications, fittings and furnishings. 7. The developer reserves the right to make revisions/ alterations, at its absolute discretion, without any liability whatsoever.

1.5 BEDROOM APARTMENT

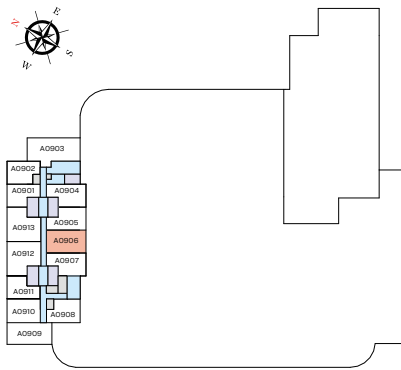
TYPE A (with powder room and study room + yard) - VARIANT 2

TOTAL SALEABLE AREA

SUITE = 664.35 SQ.FT.

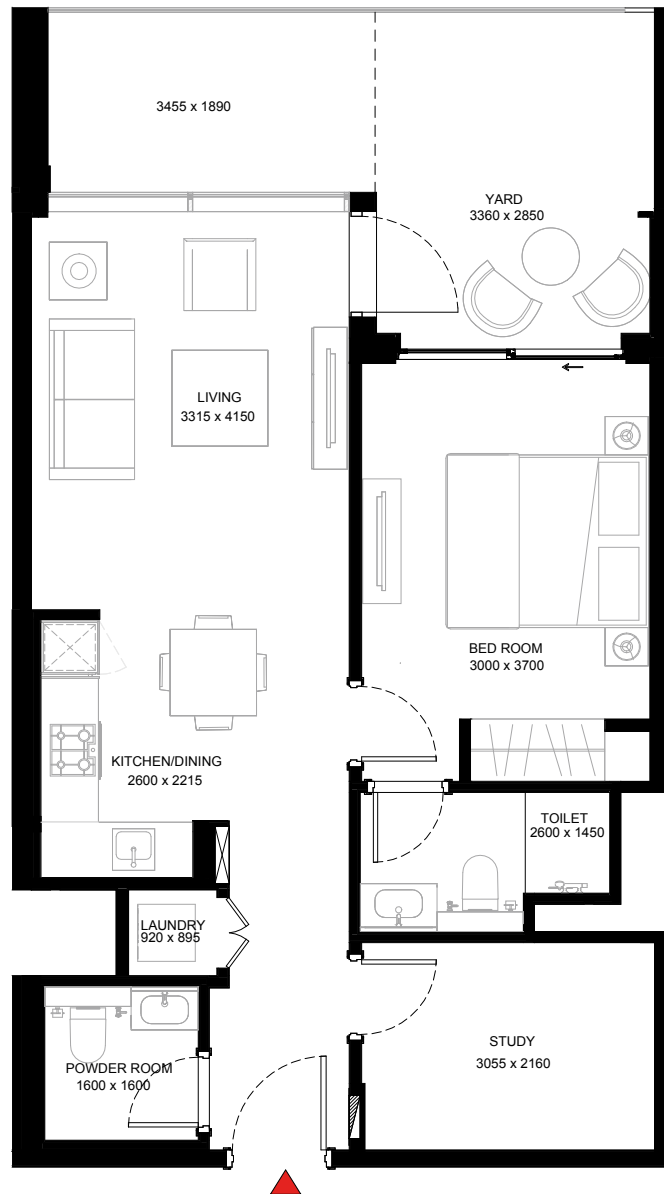
YARD = 200.96 SQ.FT.

TOTAL = 865.31 SQ.FT.



LEVEL 09

UNIT



List of unit numbers with this unit plan:

VIEWS

Amenities

A906

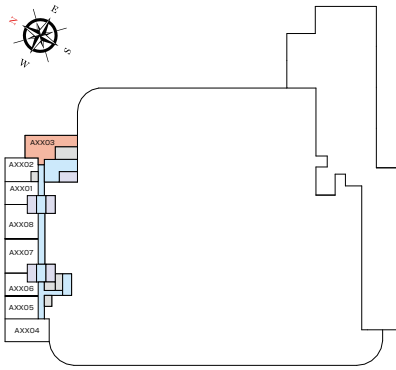
Disclaimer: 1. All dimensions are in metric, measured to wall finishes. 2. All materials, dimensions & drawings are approximate. 3. Information is subject to change without notice, at developer's absolute discretion. 4. Actual area may vary from the stated area. 5. Drawing are not to scale. 6. All images used are for illustrative purpose only and do not represent the actual size, features, specifications, fittings and furnishings. 7. The developer reserves the right to make revisions/ alterations, at its absolute discretion, without any liability whatsoever.

1.5 BEDROOM APARTMENT

TYPE B (with study room + balcony)

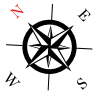
TOTAL SALEABLE AREA

SUITE = 842.06 SQ.FT.
BALCONY = 98.49 SQ.FT.
TOTAL = 940.55 SQ.FT.



LEVEL 02 - 06

UNIT



List of unit numbers with this unit plan:

VIEWS

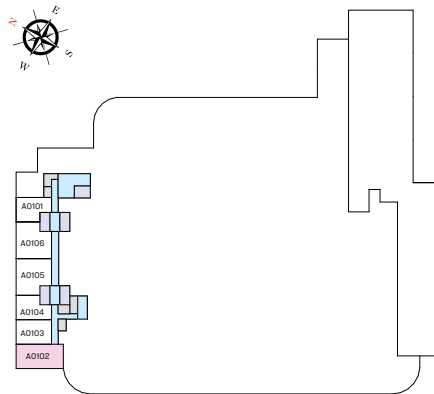
Burj Khalifa, Downtown
A203, A303, A403, A503, A603

Disclaimer: 1. All dimensions are in metric, measured to wall finishes. 2. All materials, dimensions & drawings are approximate. 3. Information is subject to change without notice, at developer's absolute discretion. 4. Actual area may vary from the stated area. 5. Drawing are not to scale. 6. All images used are for illustrative purpose only and do not represent the actual size, features, specifications, fittings and furnishings. 7. The developer reserves the right to make revisions/ alterations, at its absolute discretion, without any liability whatsoever.

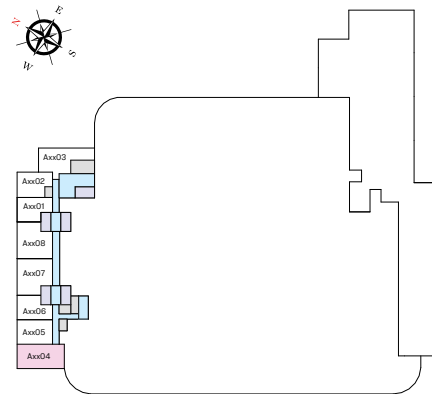
2 BEDROOM APARTMENT

TYPE A (with balcony)

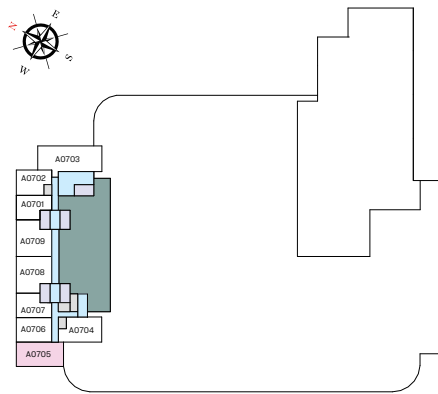
UNIT



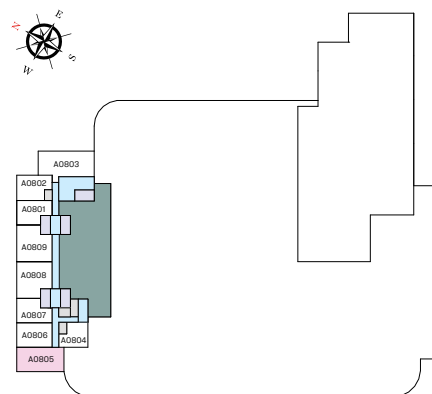
LEVEL 01



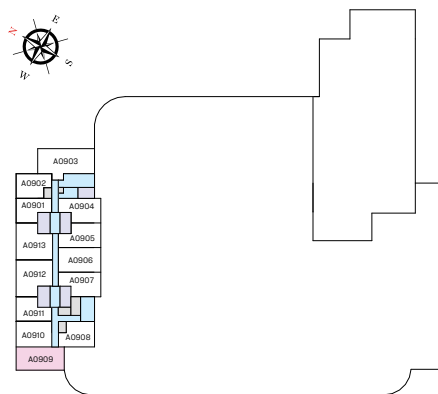
LEVEL 02 - 06



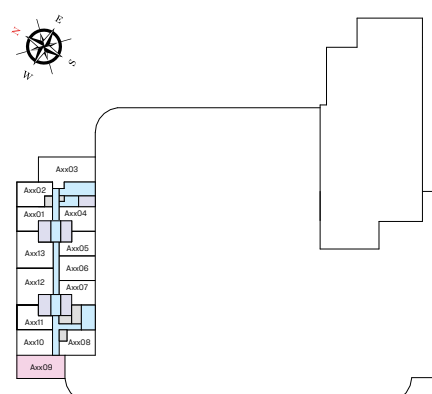
LEVEL 07



LEVEL 08



LEVEL 09



LEVEL 10 - 26 & 28 - 51

List of unit numbers with this unit plan:

VIEWS

Burj Khalifa, Downtown, Hartland
A102, A204, A304, A404, A504, A604

Burj Khalifa, Downtown, Hartland, Amenities
A705, A805

Burj Khalifa, Downtown, Dubai Water Canal, Hartland, Amenities
A909, A1009, A1109, A1209, A1309

Burj Khalifa, Downtown, Dubai Water Canal, Hartland
A1409, A1509, A1609, A1709, A1809, A1909, A2009, A2109, A2209, A2309, A2409, A2509, A2609, A2809, A2909, A3009, A3109, A3209, A3309, A3409, A3509, A3609, A3709, A3809, A3909, A4009, A4109, A4209, A4309, A4409, A4509, A4609, A4709, A4809, A4909, A5009, A5109

Disclaimer: 1. All dimensions are in metric, measured to wall finishes. 2. All materials, dimensions & drawings are approximate. 3. Information is subject to change without notice, at developer's absolute discretion. 4. Actual area may vary from the stated area. 5. Drawing are not to scale. 6. All images used are for illustrative purpose only and do not represent the actual size, features, specifications, fittings and furnishings. 7. The developer reserves the right to make revisions/ alterations, at its absolute discretion, without any liability whatsoever.

2 BEDROOM APARTMENT

TYPE A (with balcony)

TOTAL SALEABLE AREA

SUITE RANGE = 898.68 - 901.48 SQ.FT.

BALCONY = 57.16 SQ.FT.

TOTAL RANGE= 955.84 - 958.64 SQ.FT.



List of unit numbers with this unit plan:

VIEWS

Burj Khalifa, Downtown, Hartland
A102, A204, A304, A404, A504, A604

Burj Khalifa, Downtown, Hartland, Amenities
A705, A805

Burj Khalifa, Downtown, Dubai Water Canal, Hartland, Amenities
A909, A1009, A1109, A1209, A1309

Burj Khalifa, Downtown, Dubai Water Canal, Hartland

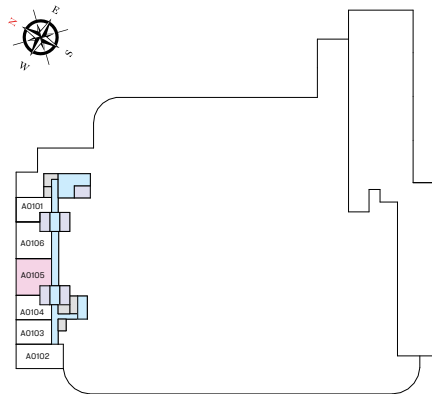
A1409, A1509, A1609, A1709, A1809, A1909, A2009, A2109, A2209, A2309, A2409, A2509, A2609, A2809, A2909, A3009, A3109, A3209, A3309, A3409, A3509, A3609, A3709, A3809, A3909, A4009, A4109, A4209, A4309, A4409, A4509, A4609, A4709, A4809, A4909, A5009, A5109

Disclaimer: 1. All dimensions are in metric, measured to wall finishes. 2. All materials, dimensions & drawings are approximate. 3. Information is subject to change without notice, at developer's absolute discretion. 4. Actual area may vary from the stated area. 5. Drawing are not to scale. 6. All images used are for illustrative purpose only and do not represent the actual size, features, specifications, fittings and furnishings. 7. The developer reserves the right to make revisions/ alterations, at its absolute discretion, without any liability whatsoever.

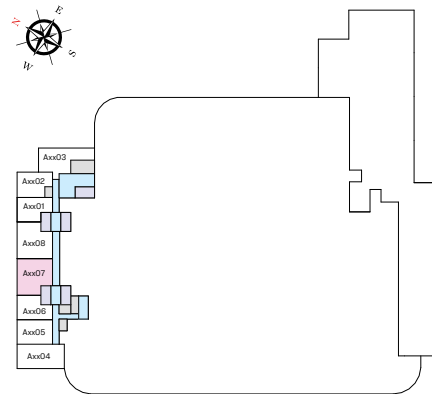
2 BEDROOM APARTMENT

TYPE B (with 2 balconies)

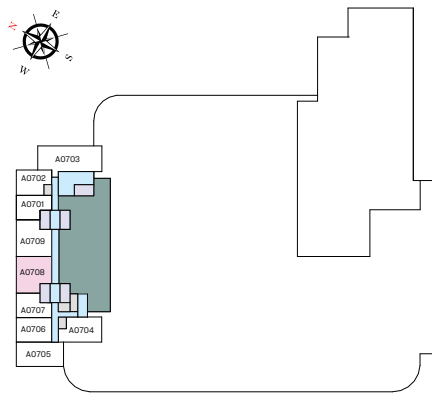
UNIT



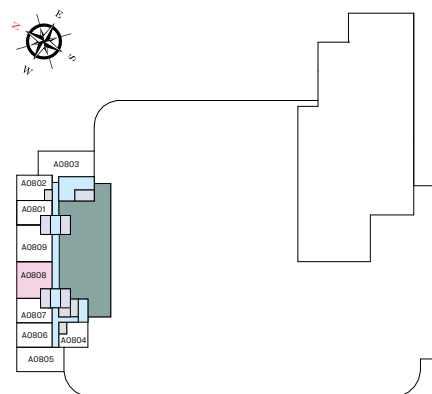
LEVEL 01



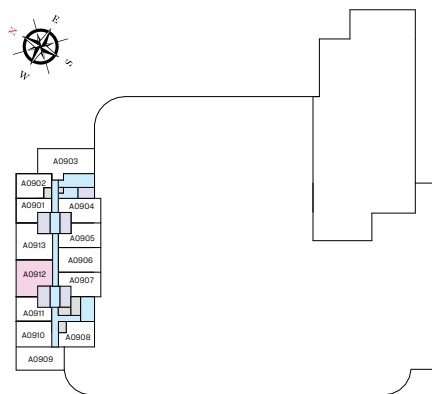
LEVEL 02 - 06



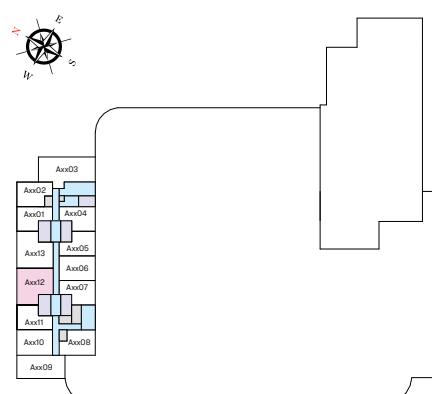
LEVEL 07



LEVEL 08



LEVEL 09



LEVEL 10 - 26 & 28 - 51

List of unit numbers with this unit plan:

VIEWS

Burj Khalifa, Downtown

A105, A207, A307, A407, A507, A607, A708, A808

Burj Khalifa, Downtown, Dubai Water Canal

A912, A1012, A1112, A1212, A1312, A1412, A1512, A1612, A1712, A1812, A1912, A2012, A2112, A2212, A2312, A2412, A2512, A2612, A2812, A2912, A3012, A3112, A3212, A3312, A3412, A3512, A3612, A3712, A3812, A3912, A4012, A4112, A4212, A4312, A4412, A4512, A4612, A4712, A4812, A4912, A5012, A5112

Disclaimer: 1. All dimensions are in metric, measured to wall finishes. 2. All materials, dimensions & drawings are approximate. 3. Information is subject to change without notice, at developer's absolute discretion. 4. Actual area may vary from the stated area. 5. Drawing are not to scale. 6. All images used are for illustrative purpose only and do not represent the actual size, features, specifications, fittings and furnishings. 7. The developer reserves the right to make revisions/ alterations, at its absolute discretion, without any liability whatsoever.

2 BEDROOM APARTMENT

TYPE B (with 2 balconies)

TOTAL SALEABLE AREA

SUITE = 854.22 SQ.FT.

BALCONY = 113.45 SQ.FT.

TOTAL = 967.67 SQ.FT.



List of unit numbers with this unit plan:

VIEWS

Burj Khalifa, Downtown

A105,A207,A307,A407,A507,A607,A708,A808

Burj Khalifa, Downtown, Dubai Water Canal

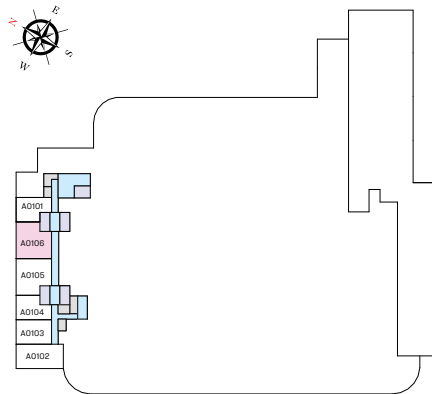
A912, A1012, A1112, A1212, A1312, A1412, A1512, A1612, A1712, A1812, A1912, A2012, A2112, A2212, A2312, A2412, A2512, A2612, A2812, A2912, A3012, A3112, A3212, A3312, A3412, A3512, A3612, A3712, A3812, A3912, A4012, A4112, A4212, A4312, A4412, A4512, A4612, A4712, A4812, A4912, A5012, A5112

Disclaimer: 1. All dimensions are in metric, measured to wall finishes. 2. All materials, dimensions & drawings are approximate. 3. Information is subject to change without notice, at developer's absolute discretion. 4. Actual area may vary from the stated area. 5. Drawing are not to scale. 6. All images used are for illustrative purpose only and do not represent the actual size, features, specifications, fittings and furnishings. 7. The developer reserves the right to make revisions/ alterations, at its absolute discretion, without any liability whatsoever.

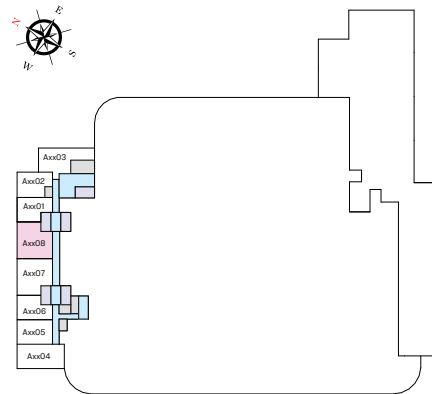
2 BEDROOM APARTMENT

TYPE B (with 2 balconies) - VARIANT 1

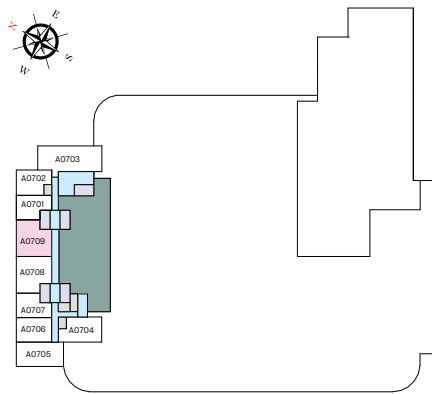
UNIT



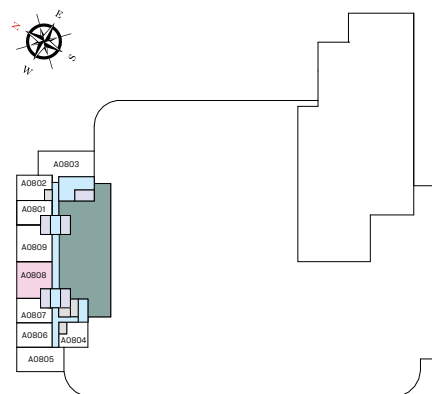
LEVEL 01



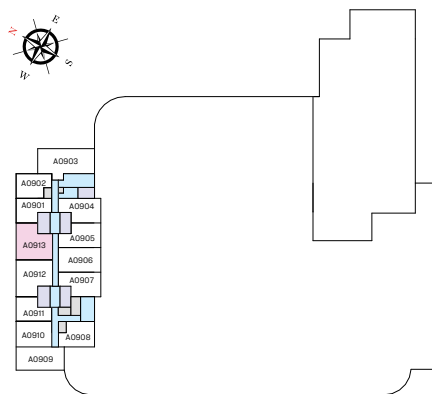
LEVEL 02 - 06



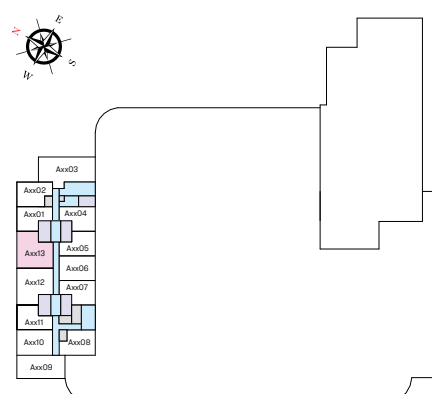
LEVEL 07



LEVEL 08



LEVEL 09



LEVEL 10 - 26 & 28 - 51

List of unit numbers with this unit plan:

VIEWS

Burj Khalifa, Downtown

A106,A208,A308,A408,A508,A608,A709,A809

Burj Khalifa, Downtown, Dubai Water Canal

A913, A1013, A1113, A1213, A1313, A1413, A1513, A1613, A1713, A1813, A1913, A2013, A2113, A2213, A2313, A2413, A2513, A2613, A2813, A2913, A3013, A3113, A3213, A3313, A3413, A3513, A3613, A3713, A3813, A3913, A4013, A4113, A4213, A4313, A4413, A4513, A4613, A4713, A4813, A4913, A5013, A5113

Disclaimer: 1. All dimensions are in metric, measured to wall finishes. 2. All materials, dimensions & drawings are approximate. 3. Information is subject to change without notice, at developer's absolute discretion. 4. Actual area may vary from the stated area. 5. Drawing are not to scale. 6. All images used are for illustrative purpose only and do not represent the actual size, features, specifications, fittings and furnishings. 7. The developer reserves the right to make revisions/ alterations, at its absolute discretion, without any liability whatsoever.

2 BEDROOM APARTMENT

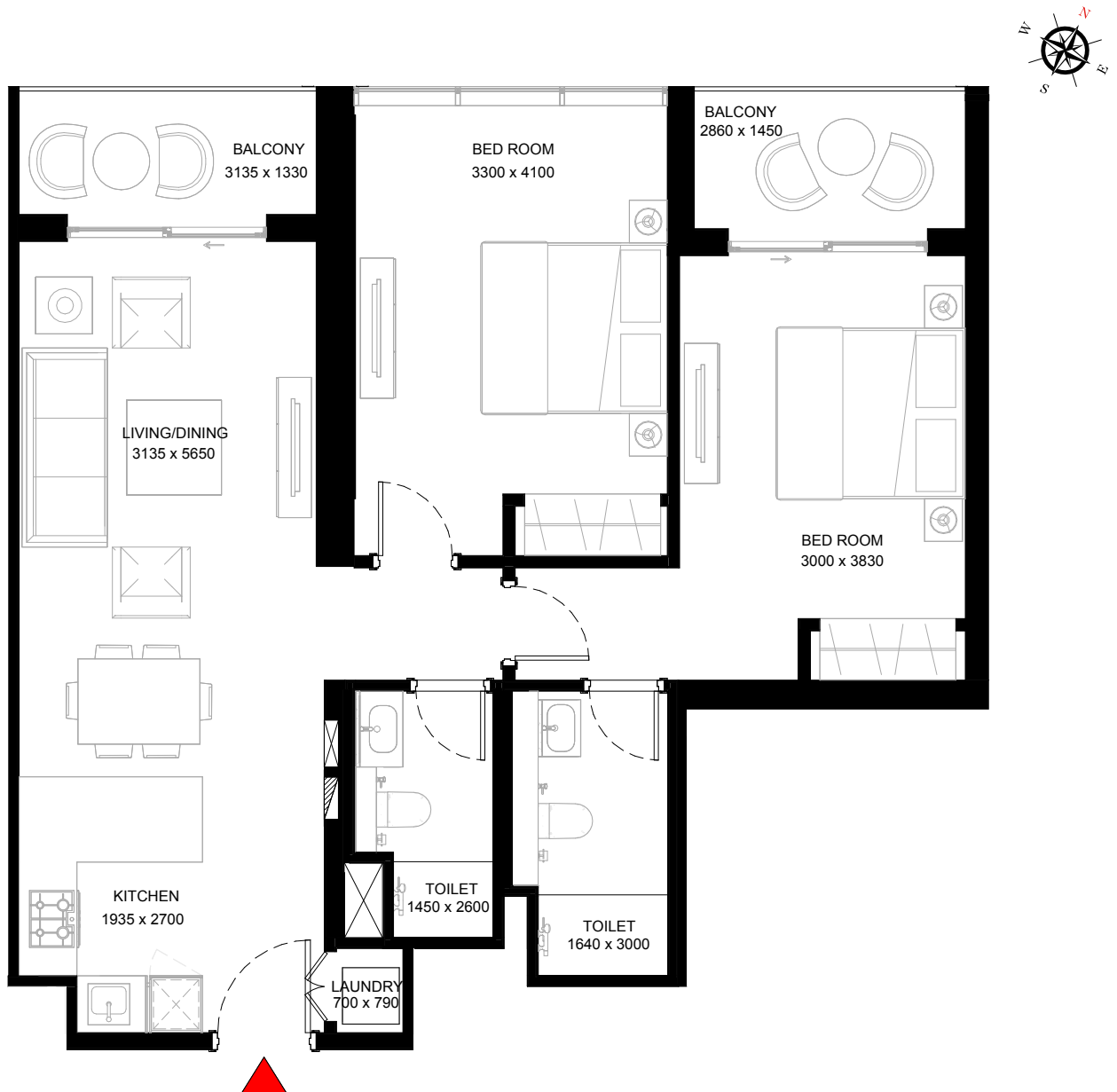
TYPE B (with 2 balconies) - VARIANT 1

TOTAL SALEABLE AREA

SUITE = 854.22 SQ.FT.

BALCONY = 113.45 SQ.FT.

TOTAL = 967.67 SQ.FT.



List of unit numbers with this unit plan:

VIEWS

Burj Khalifa, Downtown

A106,A208,A308,A408,A508,A608,A709,A809

Burj Khalifa, Downtown, Dubai Water Canal

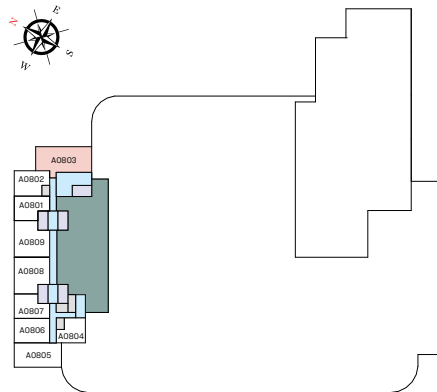
A913, A1013, A1113, A1213, A1313, A1413, A1513, A1613, A1713, A1813, A1913, A2013, A2113, A2213, A2313, A2413, A2513, A2613, A2813, A2913, A3013, A3113, A3213, A3313, A3413, A3513, A3613, A3713, A3813, A3913, A4013, A4113, A4213, A4313, A4413, A4513, A4613, A4713, A4813, A4913, A5013, A5113

Disclaimer: 1. All dimensions are in metric, measured to wall finishes. 2. All materials, dimensions & drawings are approximate. 3. Information is subject to change without notice, at developer's absolute discretion. 4. Actual area may vary from the stated area. 5. Drawing are not to scale. 6. All images used are for illustrative purpose only and do not represent the actual size, features, specifications, fittings and furnishings. 7. The developer reserves the right to make revisions/ alterations, at its absolute discretion, without any liability whatsoever.

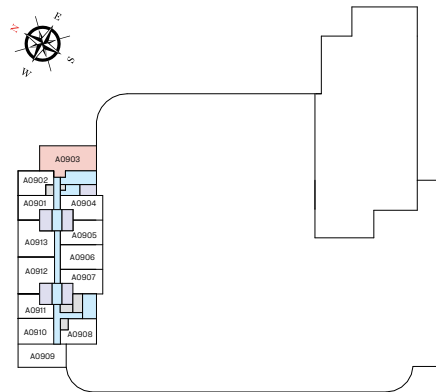
2.5 BEDROOM APARTMENT

TYPE A (with study and powder room + balcony)

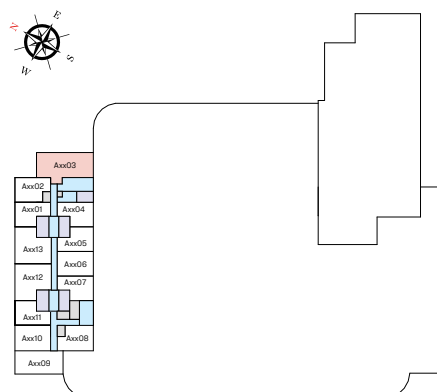
UNIT



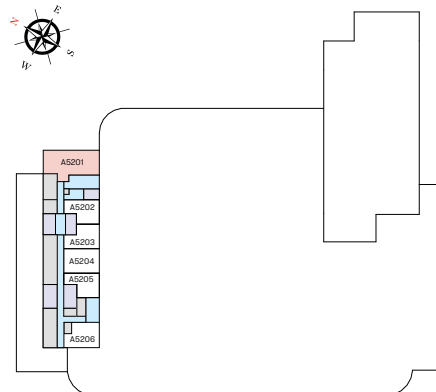
LEVEL 08



LEVEL 09



LEVEL 10 - 26 & 28 - 51



LEVEL 52

List of unit numbers with this unit plan:

VIEWS

Burj Khalifa, Downtown, Ras Al Khor Sanctuary, Hartland, Amenities
A803

Burj Khalifa, Downtown, Dubai Water Canal, Ras Al Khor Sanctuary, Hartland, Amenities
A903, A1003, A1103, A1203, A1303

Burj Khalifa, Downtown, Dubai Water Canal, Ras Al Khor Sanctuary, Hartland

A1403, A1503, A1603, A1703, A1803, A1903, A2003, A2103, A2203, A2303, A2403, A2503, A2603, A2803, A2903, A3003, A3103, A3203, A3303, A3403, A3503, A3603, A3703, A3803, A3903, A4003, A4103, A4203, A4303, A4403, A4503, A4603, A4703, A4803, A4903, A5003, A5103, A5201

Disclaimer: 1. All dimensions are in metric, measured to wall finishes. 2. All materials, dimensions & drawings are approximate. 3. Information is subject to change without notice, at developer's absolute discretion. 4. Actual area may vary from the stated area. 5. Drawing are not to scale. 6. All images used are for illustrative purpose only and do not represent the actual size, features, specifications, fittings and furnishings. 7. The developer reserves the right to make revisions/ alterations, at its absolute discretion, without any liability whatsoever.

2.5 BEDROOM APARTMENT

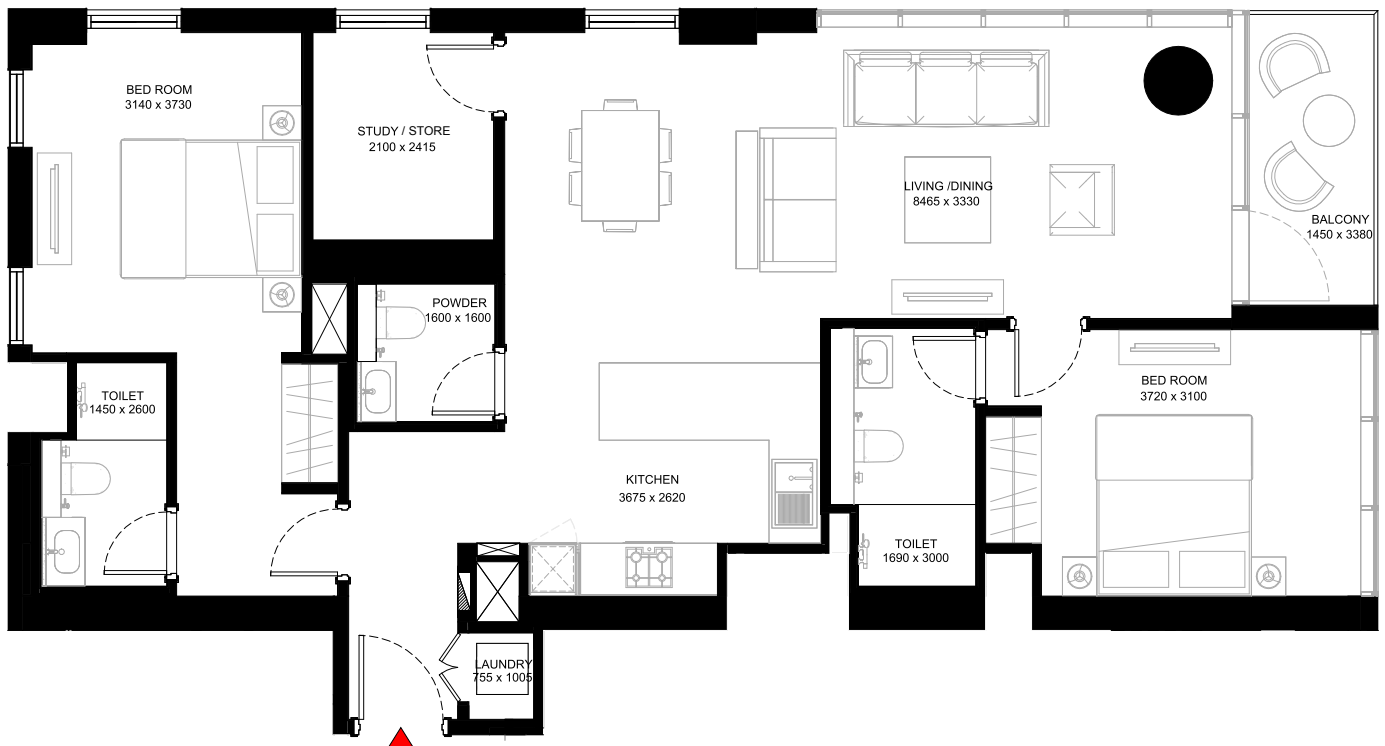
TYPE A (with study and powder room + balcony)

TOTAL SALEABLE AREA

SUITE = 1,117.51 SQ.FT.

BALCONY = 55.54 SQ.FT.

TOTAL = 1,173.05 SQ.FT.



List of unit numbers with this unit plan:

VIEWS

Burj Khalifa, Downtown, Ras Al Khor Sanctuary, Hartland, Amenities
A803

Burj Khalifa, Downtown, Dubai Water Canal, Ras Al Khor Sanctuary, Hartland, Amenities
A903, A1003, A1103, A1203, A1303

Burj Khalifa, Downtown, Dubai Water Canal, Ras Al Khor Sanctuary, Hartland
A1403, A1503, A1603, A1703, A1803, A1903, A2003, A2103, A2203, A2303, A2403, A2503, A2603, A2803, A2903, A3003, A3103, A3203, A3303,
A3403, A3503, A3603, A3703, A3803, A3903, A4003, A4103, A4203, A4303, A4403, A4503, A4603, A4703, A4803, A4903, A5003, A5103, A5201

Disclaimer: 1. All dimensions are in metric, measured to wall finishes. 2. All materials, dimensions & drawings are approximate. 3. Information is subject to change without notice, at developer's absolute discretion. 4. Actual area may vary from the stated area. 5. Drawing are not to scale. 6. All images used are for illustrative purpose only and do not represent the actual size, features, specifications, fittings and furnishings. 7. The developer reserves the right to make revisions/ alterations, at its absolute discretion, without any liability whatsoever.

2.5 BEDROOM APARTMENT

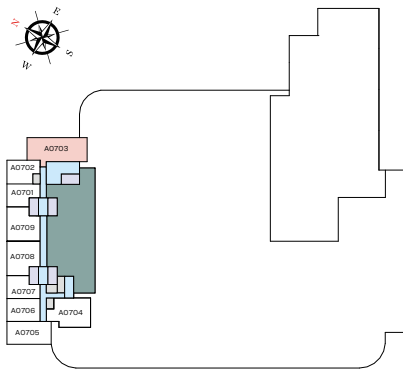
TYPE A (with powder room and study room + yard) - VARIANT 1

TOTAL SALEABLE AREA

SUITE = 1,112.13 SQ.FT.

YARD = 201.50 SQ.FT.

TOTAL = 1,313.63 SQ.FT.



LEVEL 07

UNIT



List of unit numbers with this unit plan:

VIEWS

Burj Khalifa, Downtown, Ras Al Khor Wildlife Sanctuary, Hartland, Amenities
A703

Disclaimer: 1. All dimensions are in metric, measured to wall finishes. 2. All materials, dimensions & drawings are approximate. 3. Information is subject to change without notice, at developer's absolute discretion. 4. Actual area may vary from the stated area. 5. Drawing are not to scale. 6. All images used are for illustrative purpose only and do not represent the actual size, features, specifications, fittings and furnishings. 7. The developer reserves the right to make revisions/ alterations, at its absolute discretion, without any liability whatsoever.

2.5 BEDROOM APARTMENT

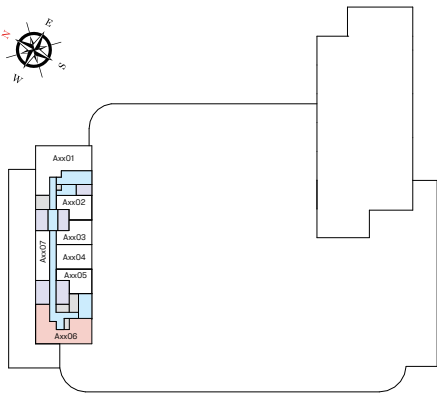
TYPE B (with study and maid room + balcony)

TOTAL SALEABLE AREA

SUITE = 1,191.56 SQ.FT.

BALCONY = 63.51 SQ.FT.

TOTAL = 1,255.07 SQ.FT.



LEVEL 54 - 57

UNIT



List of unit numbers with this unit plan:

VIEWS

Burj Khalifa, Downtown, Hartland
A5406, A5506, A5606, A5706

Disclaimer: 1. All dimensions are in metric, measured to wall finishes. 2. All materials, dimensions & drawings are approximate. 3. Information is subject to change without notice, at developer's absolute discretion. 4. Actual area may vary from the stated area. 5. Drawing are not to scale. 6. All images used are for illustrative purpose only and do not represent the actual size, features, specifications, fittings and furnishings. 7. The developer reserves the right to make revisions/ alterations, at its absolute discretion, without any liability whatsoever.

3.5 BEDROOM APARTMENT

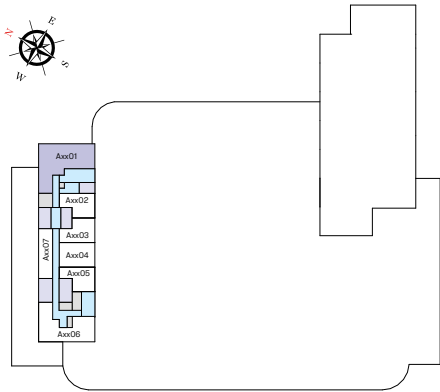
TYPE A (with study and powder room + balcony)

TOTAL SALEABLE AREA

SUITE = 1,394.14 SQ.FT.

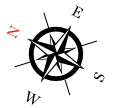
BALCONY = 57.69 SQ.FT.

TOTAL = 1,451.83 SQ.FT.



LEVEL 54 - 57

UNIT



List of unit numbers with this unit plan:

VIEWS

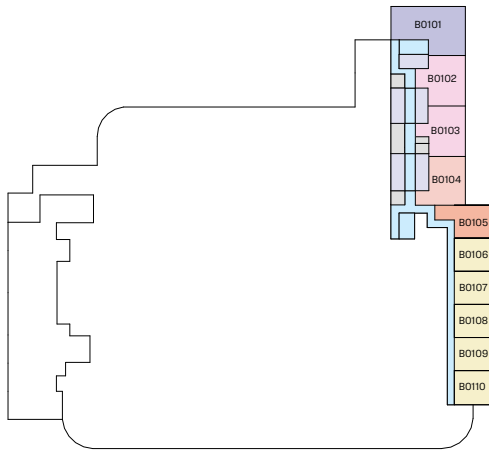
Burj Khalifa, Downtown, Hartland
A5401, A5501, A5601, A5701

Disclaimer: 1. All dimensions are in metric, measured to wall finishes. 2. All materials, dimensions & drawings are approximate. 3. Information is subject to change without notice, at developer's absolute discretion. 4. Actual area may vary from the stated area. 5. Drawing are not to scale. 6. All images used are for illustrative purpose only and do not represent the actual size, features, specifications, fittings and furnishings. 7. The developer reserves the right to make revisions/ alterations, at its absolute discretion, without any liability whatsoever.

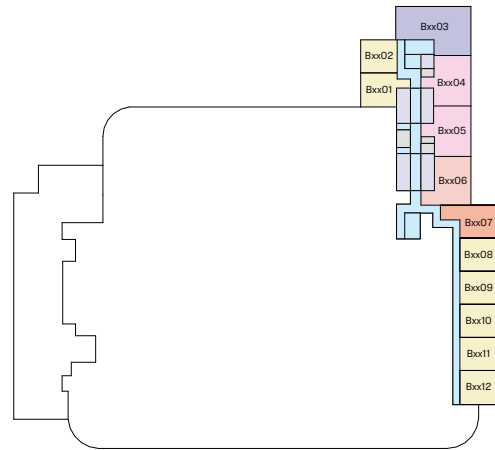
FLOOR AND UNIT PLANS
TOWER B

FLOOR PLAN LAYOUT

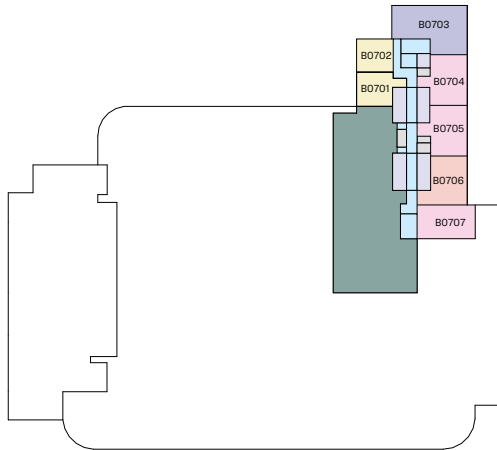
TOWER B



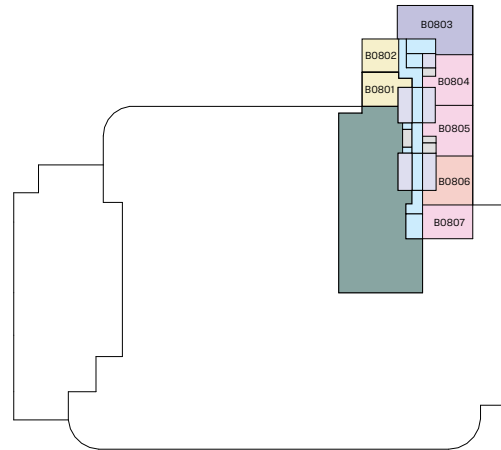
LEVEL 01



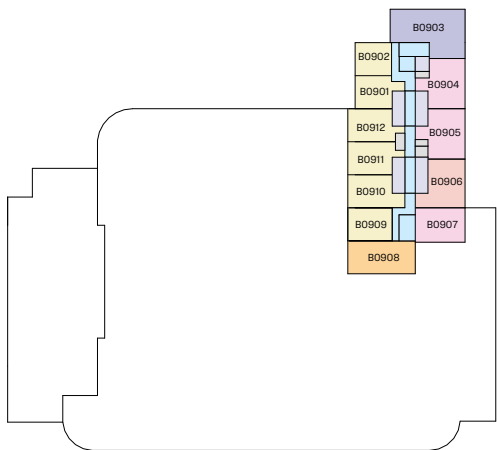
LEVEL 02 - 06



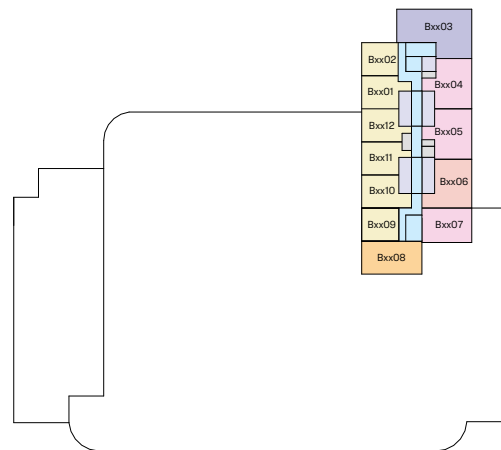
LEVEL 07



LEVEL 08



LEVEL 09



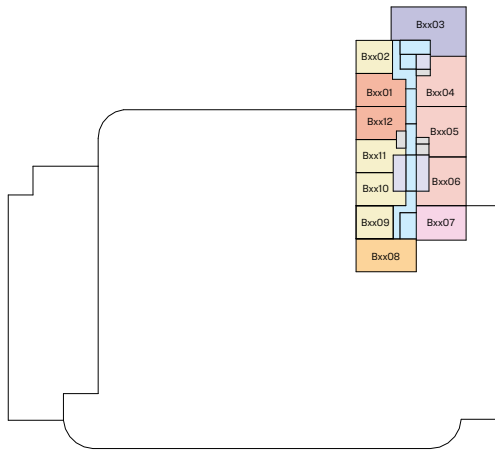
LEVEL 10 - 32

- | | | |
|--------------|--------------|-------------|
| 1 BED UNIT | 2.5 BED UNIT | CIRCULATION |
| 1.5 BED UNIT | 3 BED UNIT | LIFT |
| 2 BED UNIT | 3.5 BED UNIT | SERVICES |
| | | AMENITIES |

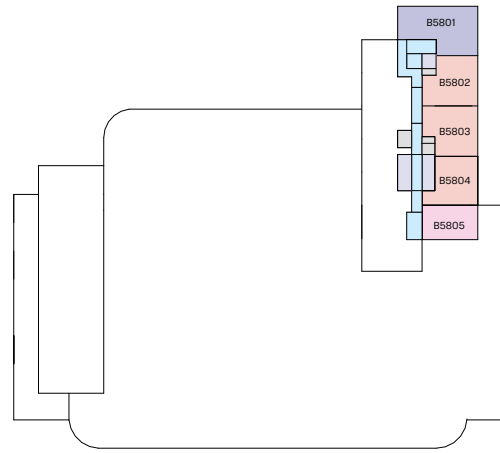
Disclaimer: 1. All dimensions are in metric, measured to wall finishes. 2. All materials, dimensions & drawings are approximate. 3. Information is subject to change without notice, at developer's absolute discretion. 4. Actual area may vary from the stated area. 5. Drawing are not to scale. 6. All images used are for illustrative purpose only and do not represent the actual size, features, specifications, fittings and furnishings. 7. The developer reserves the right to make revisions/ alterations, at its absolute discretion, without any liability whatsoever.

FLOOR PLAN LAYOUT

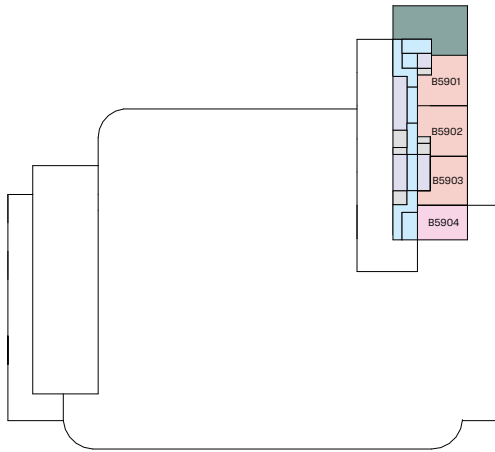
TOWER B



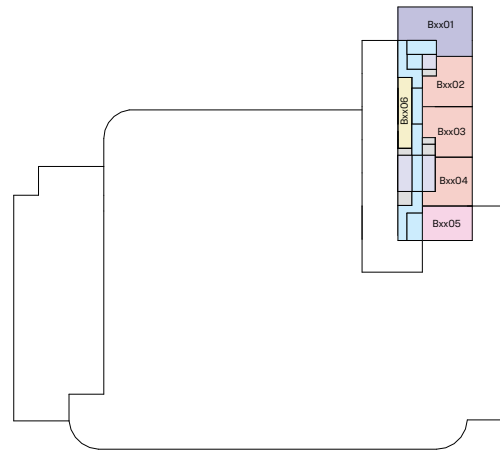
LEVEL (34 - 57)



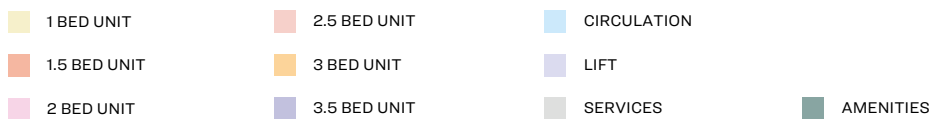
LEVEL 58



LEVEL 59



LEVEL 60 - 63



Disclaimer: 1. All dimensions are in metric, measured to wall finishes. 2. All materials, dimensions & drawings are approximate. 3. Information is subject to change without notice, at developer's absolute discretion. 4. Actual area may vary from the stated area. 5. Drawing are not to scale. 6. All images used are for illustrative purpose only and do not represent the actual size, features, specifications, fittings and furnishings. 7. The developer reserves the right to make revisions/ alterations, at its absolute discretion, without any liability whatsoever.

1 BEDROOM APARTMENT

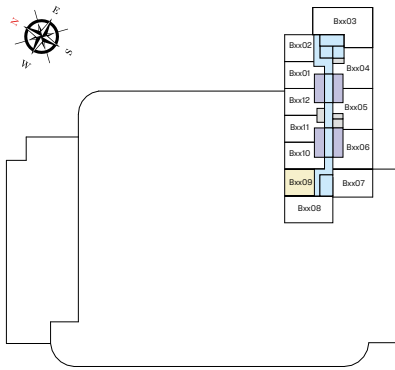
TYPE D (with powder room + balcony)

TOTAL SALEABLE AREA

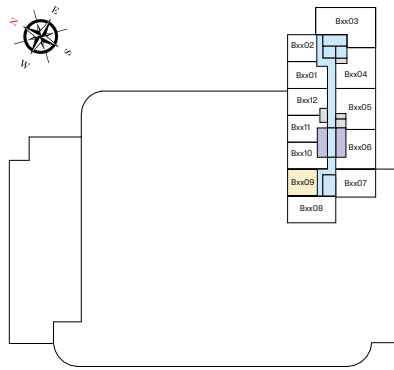
SUITE = 676.51 SQ.FT.

BALCONY = 66.63 SQ.FT.

TOTAL = 743.14 SQ.FT.

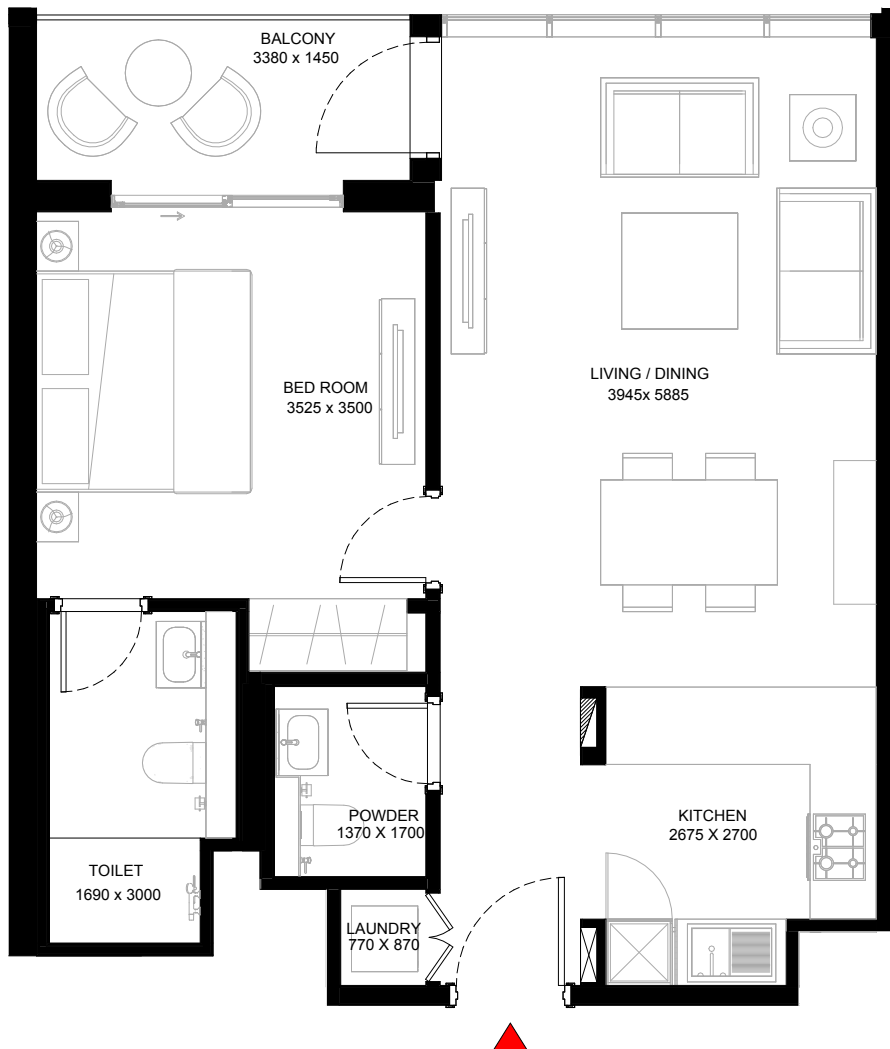
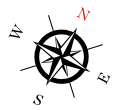


LEVEL 10 - 32



LEVEL 34 - 57

UNIT



List of unit numbers with this unit plan:

VIEWS

Burj Khalifa, Downtown, Dubai Water Canal, Amenities
B1009, B1109, B1209, B1309

Burj Khalifa, Downtown, Dubai Water Canal

B1409, B1509, B1609, B1709, B1809, B1909, B2009, B2109, B2209, B2309, B2409, B2509, B2609, B2709, B2809, B2909, B3009, B3109, B3209, B3409, B3509, B3609, B3709, B3809, B3909, B4009, B4109, B4209, B4309, B4409, B4509, B4609, B4709, B4809, B4909, B5009, B5109, B5209, B5309, B5409, B5509, B5609, B5709

Disclaimer: 1. All dimensions are in metric, measured to wall finishes. 2. All materials, dimensions & drawings are approximate. 3. Information is subject to change without notice, at developer's absolute discretion. 4. Actual area may vary from the stated area. 5. Drawing are not to scale. 6. All images used are for illustrative purpose only and do not represent the actual size, features, specifications, fittings and furnishings. 7. The developer reserves the right to make revisions/ alterations, at its absolute discretion, without any liability whatsoever.

1 BEDROOM APARTMENT

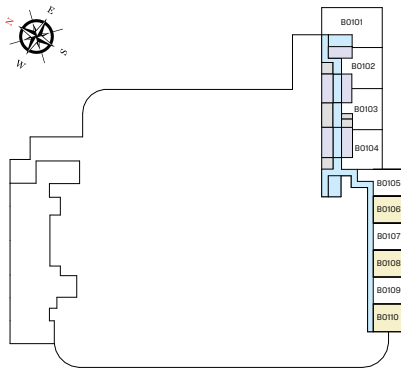
TYPE D (with powder room + balcony) - VARIANT 1

TOTAL SALEABLE AREA

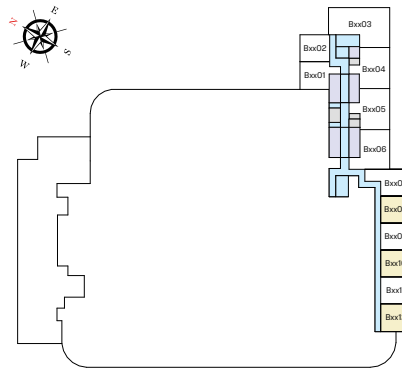
SUITE = 675.11 SQ.FT.

BALCONY = 64.48 SQ.FT.

TOTAL = 739.59 SQ.FT.



LEVEL 01



LEVEL 02 - 06

UNIT



List of unit numbers with this unit plan:

VIEWS

Hartland

B106, B108, B110, B208, B210, B212, B308, B310, B312, B408, B410, B412, B508, B510, B512, B608, B610, B612

Disclaimer: 1. All dimensions are in metric, measured to wall finishes. 2. All materials, dimensions & drawings are approximate. 3. Information is subject to change without notice, at developer's absolute discretion. 4. Actual area may vary from the stated area. 5. Drawing are not to scale. 6. All images used are for illustrative purpose only and do not represent the actual size, features, specifications, fittings and furnishings. 7. The developer reserves the right to make revisions/ alterations, at its absolute discretion, without any liability whatsoever.

1 BEDROOM APARTMENT

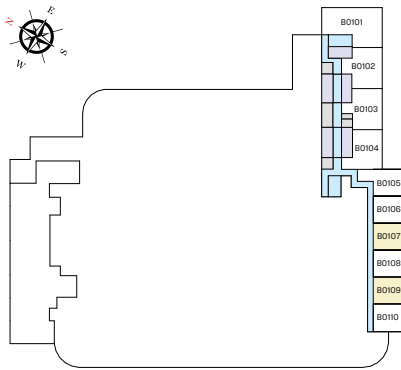
TYPE D (with powder room + balcony) - VARIANT 2

TOTAL SALEABLE AREA

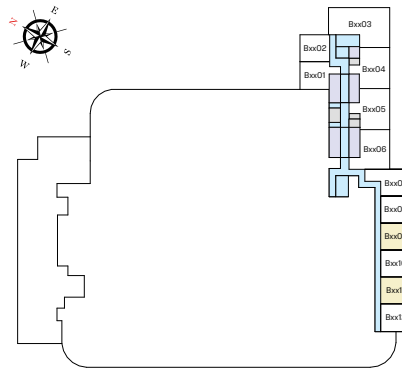
SUITE = 682.86 SQ.FT.

BALCONY = 66.09 SQ.FT.

TOTAL = 748.95 SQ.FT.

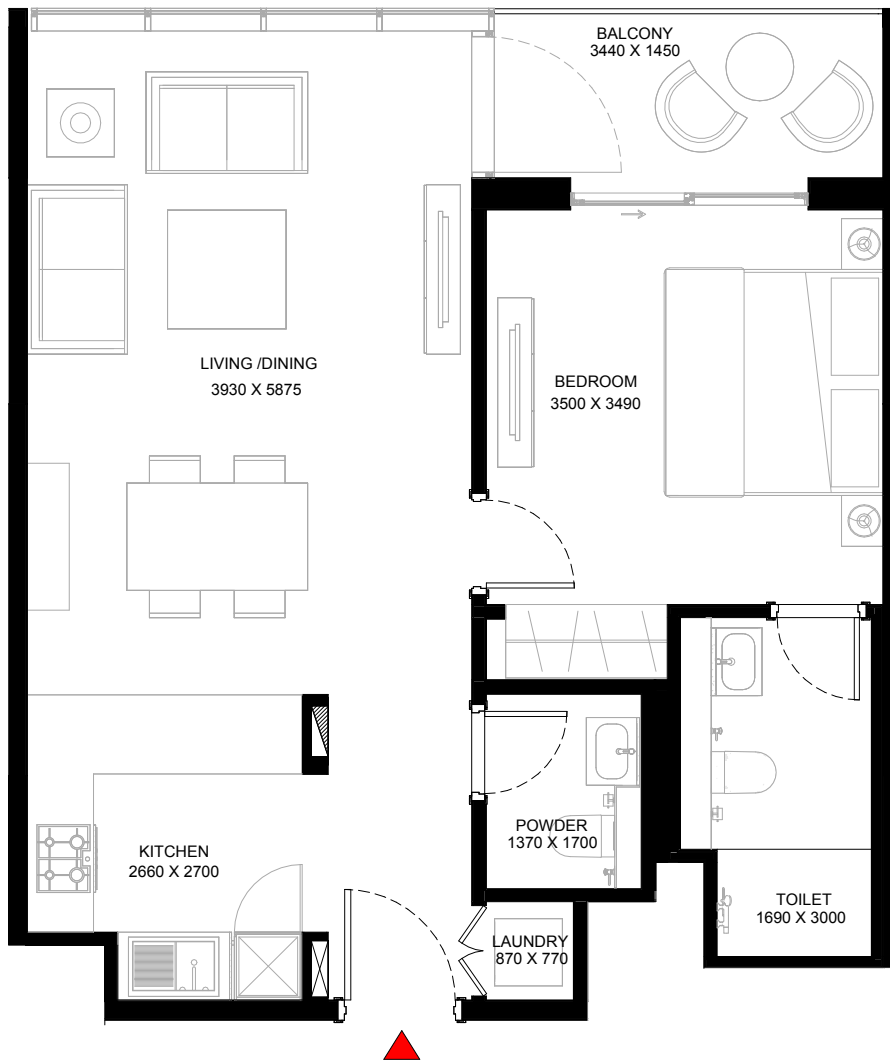


LEVEL 01



LEVEL 02 - 06

UNIT



List of unit numbers with this unit plan:

VIEWS

Hartland

B107, B109, B209, B211, B309, B311, B409, B411, B509, B511, B609, B611

Disclaimer: 1. All dimensions are in metric, measured to wall finishes. 2. All materials, dimensions & drawings are approximate. 3. Information is subject to change without notice, at developer's absolute discretion. 4. Actual area may vary from the stated area. 5. Drawing are not to scale. 6. All images used are for illustrative purpose only and do not represent the actual size, features, specifications, fittings and furnishings. 7. The developer reserves the right to make revisions/ alterations, at its absolute discretion, without any liability whatsoever.

1 BEDROOM APARTMENT

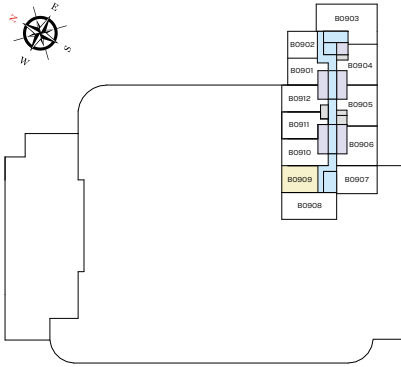
TYPE D (with powder room + yard) - VARIANT 3

TOTAL SALEABLE AREA

SUITE = 674.79 SQ.FT.

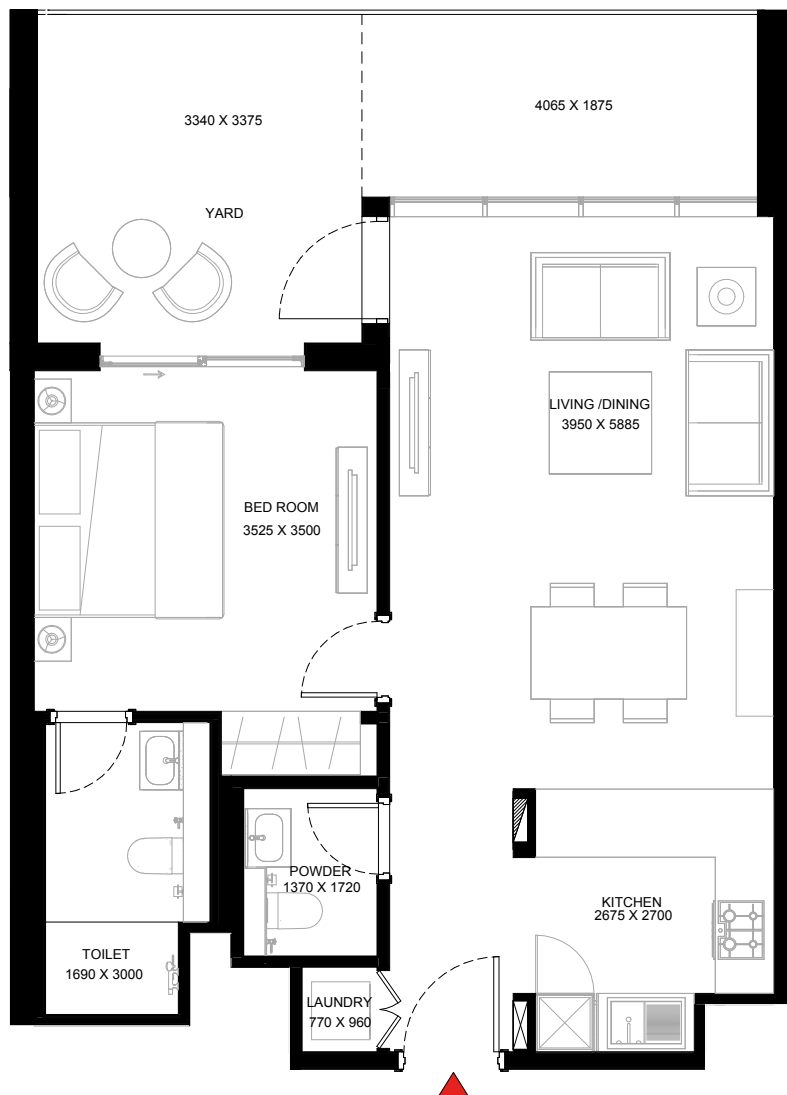
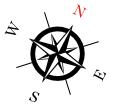
YARD = 234.98 SQ.FT.

TOTAL = 909.77 SQ.FT.



LEVEL 09

UNIT



List of unit numbers with this unit plan:

VIEWS

Burj Khalifa, Downtown, Dubai Water Canal, Amenities
B909

Disclaimer: 1. All dimensions are in metric, measured to wall finishes. 2. All materials, dimensions & drawings are approximate. 3. Information is subject to change without notice, at developer's absolute discretion. 4. Actual area may vary from the stated area. 5. Drawing are not to scale. 6. All images used are for illustrative purpose only and do not represent the actual size, features, specifications, fittings and furnishings. 7. The developer reserves the right to make revisions/ alterations, at its absolute discretion, without any liability whatsoever.

1 BEDROOM APARTMENT

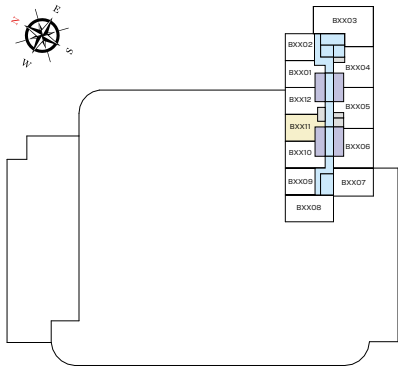
TYPE E (with powder room + balcony)

TOTAL SALEABLE AREA

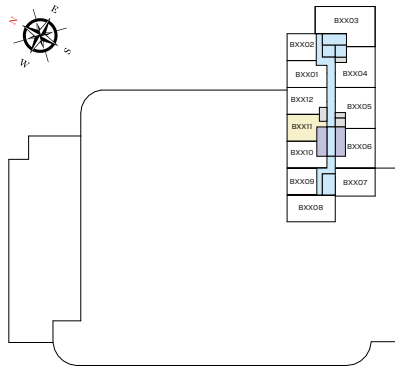
SUITE = 788.13 SQ.FT.

BALCONY = 66.84 SQ.FT.

TOTAL = 854.97 SQ.FT.

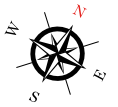


LEVEL 10 - 32



LEVEL 34 - 57

UNIT



List of unit numbers with this unit plan:

VIEWS

Burj Khalifa, Downtown, Dubai Water Canal, Amenities
B1011, B1111, B1211, B1311

Burj Khalifa, Downtown, Dubai Water Canal
B1411, B1511, B1611, B1711, B1811, B1911, B2011, B2111, B2211, B2311, B2411, B2511, B2611, B2711, B2811, B2911, B3011, B3111, B3211, B3411, B3511, B3611, B3711, B3811, B3911, B4011, B4111, B4211, B4311, B4411, B4511, B4611, B4711, B4811, B4911, B5011, B5111, B5211, B5311, B5411, B5511, B5611, B5711

Disclaimer: 1. All dimensions are in metric, measured to wall finishes. 2. All materials, dimensions & drawings are approximate. 3. Information is subject to change without notice, at developer's absolute discretion. 4. Actual area may vary from the stated area. 5. Drawing are not to scale. 6. All images used are for illustrative purpose only and do not represent the actual size, features, specifications, fittings and furnishings. 7. The developer reserves the right to make revisions/ alterations, at its absolute discretion, without any liability whatsoever.

1 BEDROOM APARTMENT

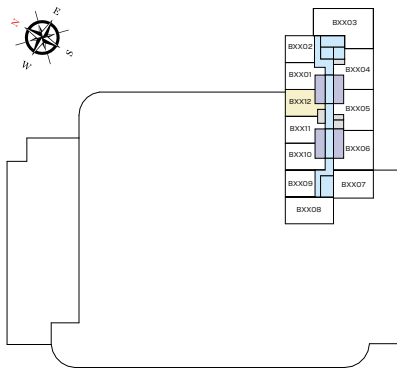
TYPE E (with powder room + balcony) - VARIANT 1

TOTAL SALEABLE AREA

SUITE = 788.13 SQ.FT.

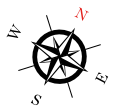
BALCONY = 66.84 SQ.FT.

TOTAL = 854.97 SQ.FT.



LEVEL 10 - 32

UNIT



List of unit numbers with this unit plan:

VIEWS

Burj Khalifa, Downtown, Dubai Water Canal, Amenities

B1012, B1112, B1212, B1312

Burj Khalifa, Downtown, Dubai Water Canal

B1412, B1512, B1612, B1712, B1812, B1912, B2012, B2112, B2212, B2312, B2412, B2512, B2612, B2712, B2812, B2912, B3012, B3112, B3212

Disclaimer: 1. All dimensions are in metric, measured to wall finishes. 2. All materials, dimensions & drawings are approximate. 3. Information is subject to change without notice, at developer's absolute discretion. 4. Actual area may vary from the stated area. 5. Drawing are not to scale. 6. All images used are for illustrative purpose only and do not represent the actual size, features, specifications, fittings and furnishings. 7. The developer reserves the right to make revisions/ alterations, at its absolute discretion, without any liability whatsoever.

1 BEDROOM APARTMENT

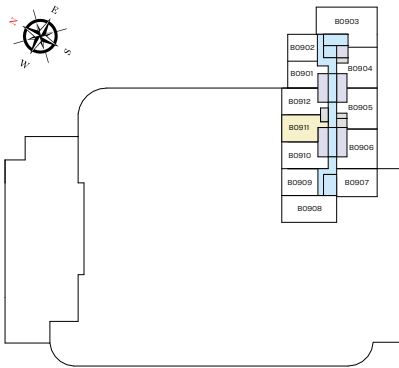
TYPE E (with powder room + yard) - VARIANT 2

TOTAL SALEABLE AREA

SUITE = 787.81 SQ.FT.

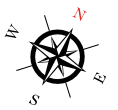
YARD = 235.19 SQ.FT.

TOTAL = 1,023.00 SQ.FT.



LEVEL 09

UNIT



List of unit numbers with this unit plan:

VIEWS

Burj Khalifa, Downtown, Dubai Water Canal, Amenities
B911

Disclaimer: 1. All dimensions are in metric, measured to wall finishes. 2. All materials, dimensions & drawings are approximate. 3. Information is subject to change without notice, at developer's absolute discretion. 4. Actual area may vary from the stated area. 5. Drawing are not to scale. 6. All images used are for illustrative purpose only and do not represent the actual size, features, specifications, fittings and furnishings. 7. The developer reserves the right to make revisions/ alterations, at its absolute discretion, without any liability whatsoever.

1 BEDROOM APARTMENT

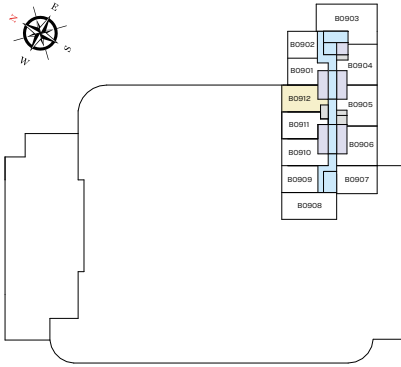
TYPE E (with powder room + yard) - VARIANT 3

TOTAL SALEABLE AREA

SUITE = 782.54 SQ.FT.

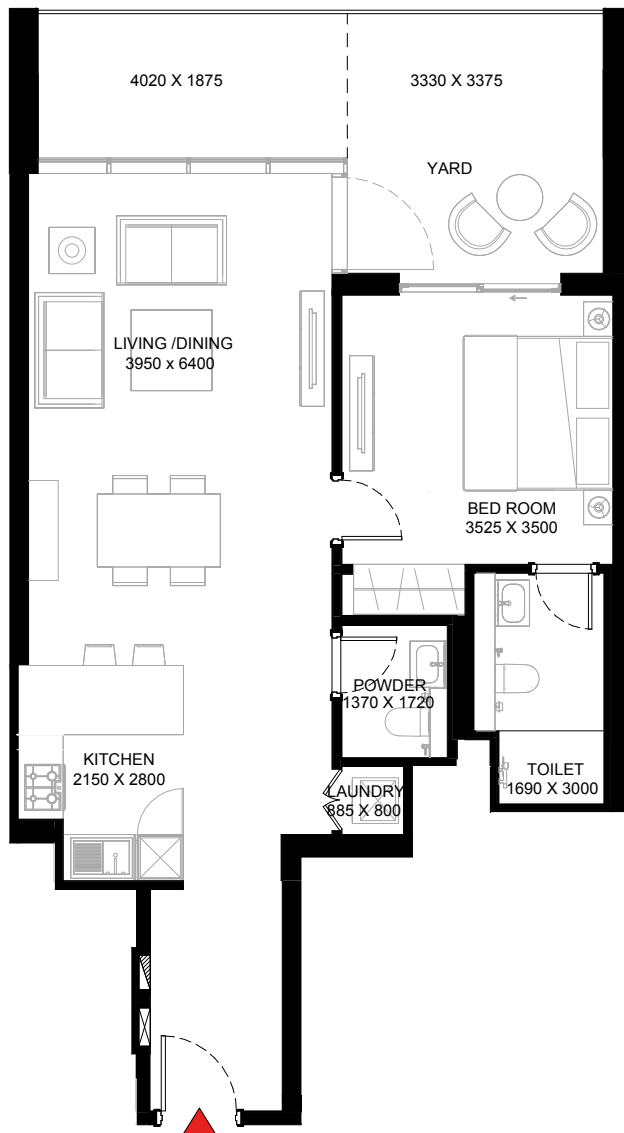
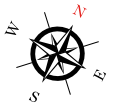
YARD = 235.19 SQ.FT.

TOTAL = 1,017.73 SQ.FT.



LEVEL 09

UNIT



List of unit numbers with this unit plan:

VIEWS

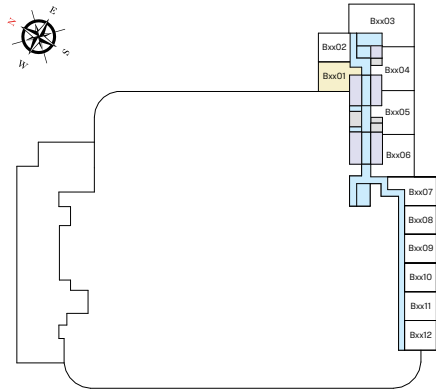
Burj Khalifa, Downtown, Dubai Water Canal, Amenities
B912

Disclaimer: 1. All dimensions are in metric, measured to wall finishes. 2. All materials, dimensions & drawings are approximate. 3. Information is subject to change without notice, at developer's absolute discretion. 4. Actual area may vary from the stated area. 5. Drawing are not to scale. 6. All images used are for illustrative purpose only and do not represent the actual size, features, specifications, fittings and furnishings. 7. The developer reserves the right to make revisions/ alterations, at its absolute discretion, without any liability whatsoever.

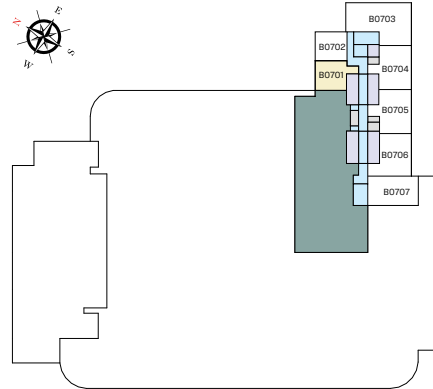
1 BEDROOM APARTMENT

TYPE F (with powder room + balcony)

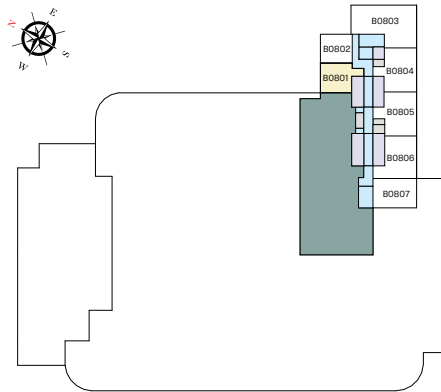
UNIT



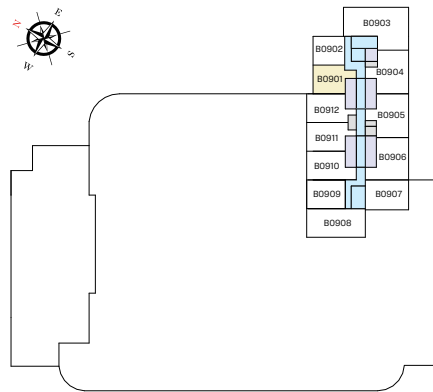
LEVEL 02 - 06



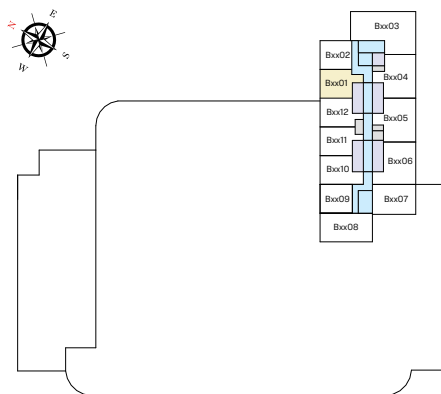
LEVEL 07



LEVEL 08



LEVEL 09



LEVEL 10 - 32

List of unit numbers with this unit plan:

VIEWS

Burj Khalifa, Downtown

B201, B301, B401, B501, B601, B701, B801

Burj Khalifa, Downtown, Dubai Water Canal, Amenities

B901, B1001, B1101, B1201, B1301

Burj Khalifa, Downtown, Dubai Water Canal

B1401, B1501, B1601, B1701, B1801, B1901, B2001, B2101, B2201, B2301, B2401, B2501, B2601, B2701, B2801, B2901, B3001, B3101, B3201

Disclaimer: 1. All dimensions are in metric, measured to wall finishes. 2. All materials, dimensions & drawings are approximate. 3. Information is subject to change without notice, at developer's absolute discretion. 4. Actual area may vary from the stated area. 5. Drawing are not to scale. 6. All images used are for illustrative purpose only and do not represent the actual size, features, specifications, fittings and furnishings. 7. The developer reserves the right to make revisions/ alterations, at its absolute discretion, without any liability whatsoever.

1 BEDROOM APARTMENT

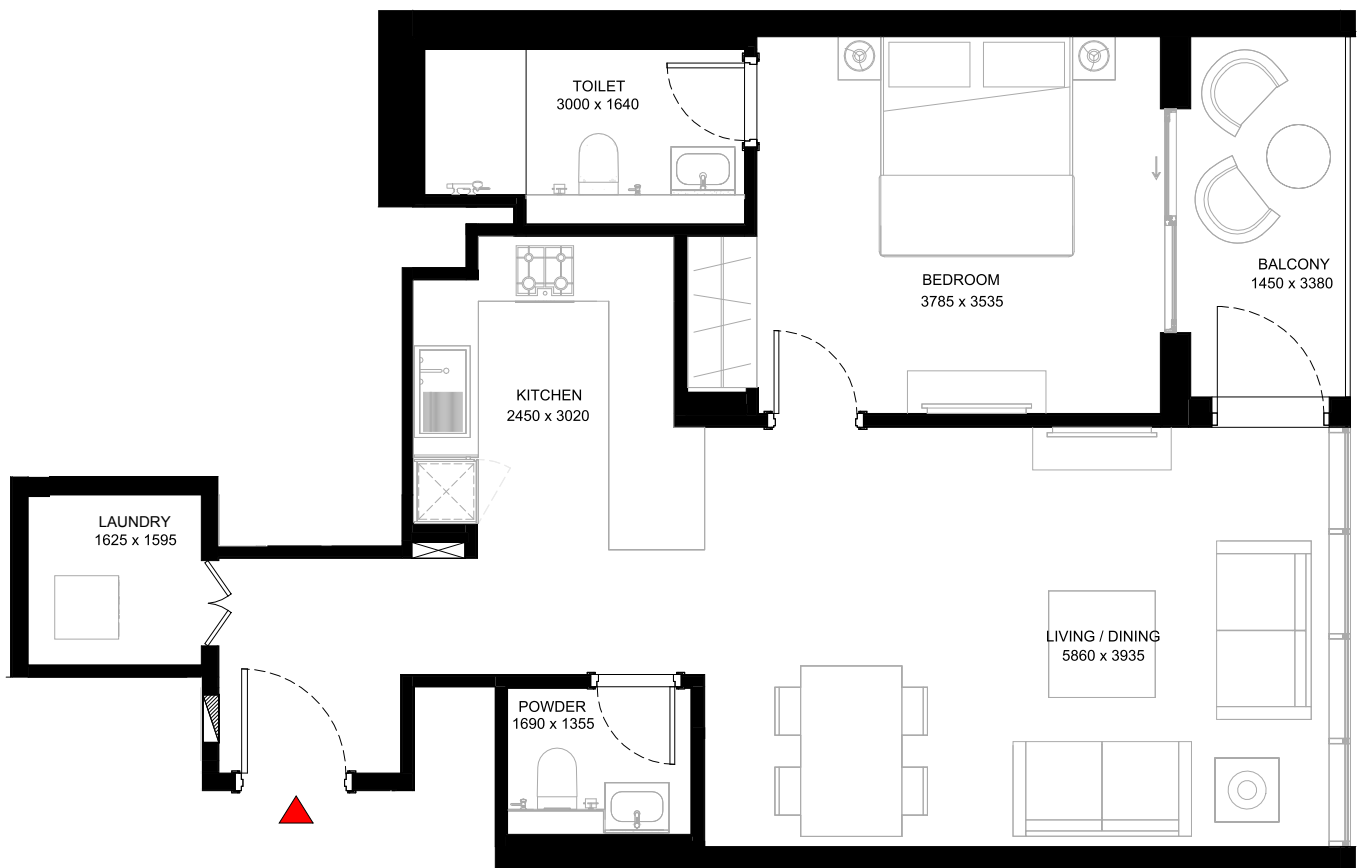
TYPE F (with powder room + balcony)

TOTAL SALEABLE AREA

SUITE = 770.70 SQ.FT.

BALCONY = 66.41 SQ.FT.

TOTAL = 837.11 SQ.FT.



List of unit numbers with this unit plan:

VIEWS

Burj Khalifa, Downtown

B201, B301, B401, B501, B601, B701, B801

Burj Khalifa, Downtown, Dubai Water Canal, Amenities

B901, B1001, B1101, B1201, B1301

Burj Khalifa, Downtown, Dubai Water Canal

B1401, B1501, B1601, B1701, B1801, B1901, B2001, B2101, B2201, B2301, B2401, B2501, B2601, B2701, B2801, B2901, B3001, B3101, B3201

Disclaimer: 1. All dimensions are in metric, measured to wall finishes. 2. All materials, dimensions & drawings are approximate. 3. Information is subject to change without notice, at developer's absolute discretion. 4. Actual area may vary from the stated area. 5. Drawing are not to scale. 6. All images used are for illustrative purpose only and do not represent the actual size, features, specifications, fittings and furnishings. 7. The developer reserves the right to make revisions/ alterations, at its absolute discretion, without any liability whatsoever.

1 BEDROOM APARTMENT

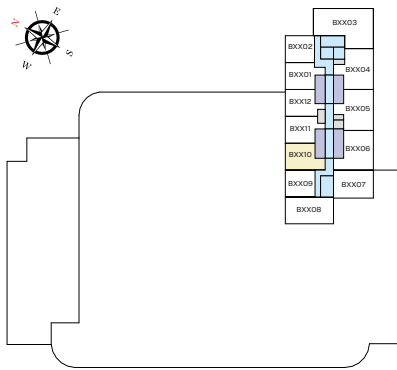
TYPE G (with powder room + balcony)

TOTAL SALEABLE AREA

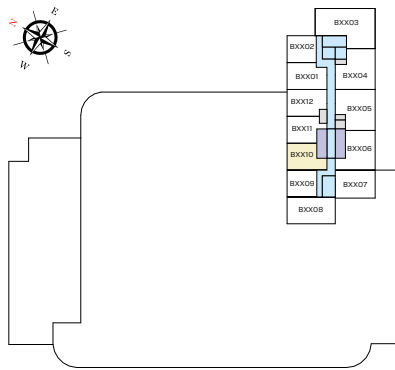
SUITE = 779.52 SQ.FT.

BALCONY = 66.84 SQ.FT.

TOTAL = 846.36 SQ.FT.

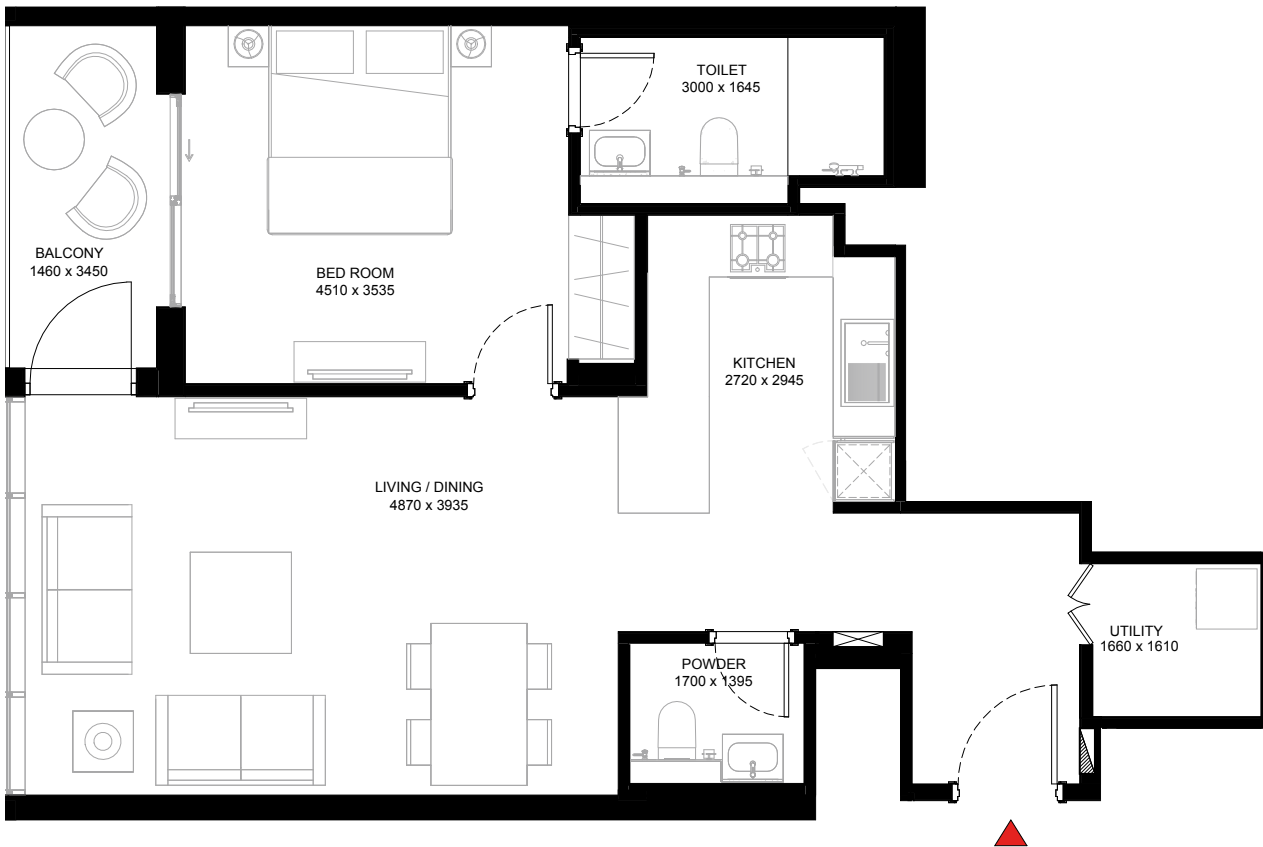
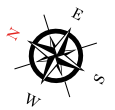


LEVEL 10 - 32



LEVEL 34 - 57

UNIT



List of unit numbers with this unit plan:

VIEWS

Burj Khalifa, Downtown, Dubai Water Canal, Amenities
B1010, B1110, B1210, B1310

Burj Khalifa, Downtown, Dubai Water Canal

B1410, B1510, B1610, B1710, B1810, B1910, B2010, B2110, B2210, B2310, B2410, B2510, B2610, B2710, B2810, B2910, B3010, B3110, B3210, B3410, B3510, B3610, B3710, B3810, B3910, B4010, B4110, B4210, B4310, B4410, B4510, B4610, B4710, B4810, B4910, B5010, B5110, B5210, B5310, B5410, B5510, B5610, B5710

Disclaimer: 1. All dimensions are in metric, measured to wall finishes. 2. All materials, dimensions & drawings are approximate. 3. Information is subject to change without notice, at developer's absolute discretion. 4. Actual area may vary from the stated area. 5. Drawing are not to scale. 6. All images used are for illustrative purpose only and do not represent the actual size, features, specifications, fittings and furnishings. 7. The developer reserves the right to make revisions/ alterations, at its absolute discretion, without any liability whatsoever.

1 BEDROOM APARTMENT

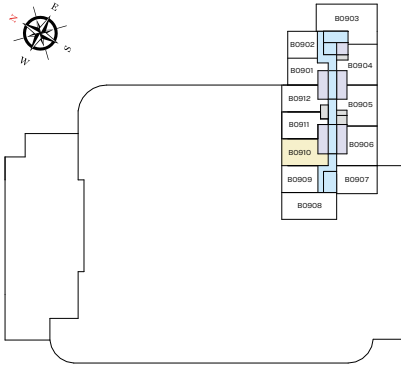
TYPE G (with powder room + yard) - VARIANT 1

TOTAL SALEABLE AREA

SUITE = 778.34 SQ.FT.

YARD = 235.19 SQ.FT.

TOTAL = 1,013.53 SQ.FT.



LEVEL 09

UNIT



List of unit numbers with this unit plan:

VIEWS

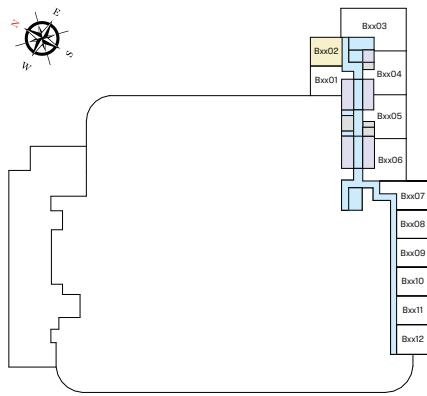
Burj Khalifa, Downtown, Dubai Water Canal, Amenities
B910

Disclaimer: 1. All dimensions are in metric, measured to wall finishes. 2. All materials, dimensions & drawings are approximate. 3. Information is subject to change without notice, at developer's absolute discretion. 4. Actual area may vary from the stated area. 5. Drawing are not to scale. 6. All images used are for illustrative purpose only and do not represent the actual size, features, specifications, fittings and furnishings. 7. The developer reserves the right to make revisions/ alterations, at its absolute discretion, without any liability whatsoever.

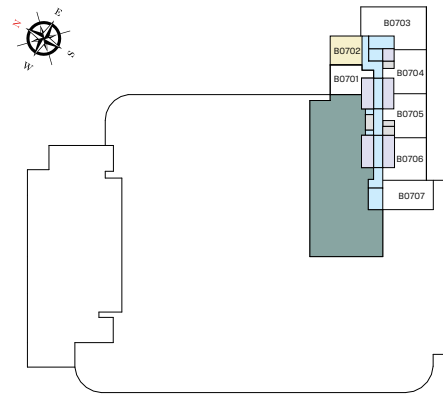
1 BEDROOM APARTMENT

TYPE H (with powder room + balcony)

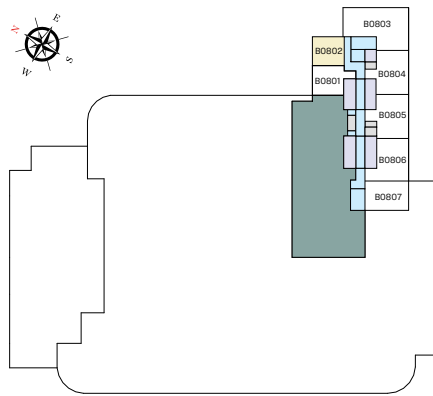
UNIT



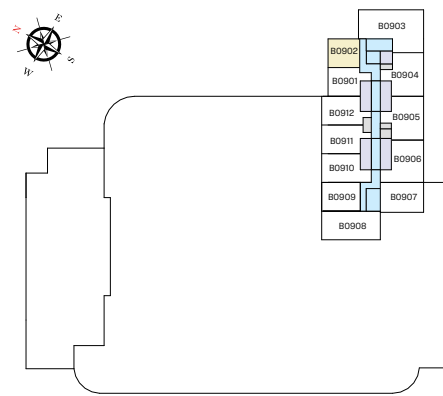
LEVEL 02 - 06



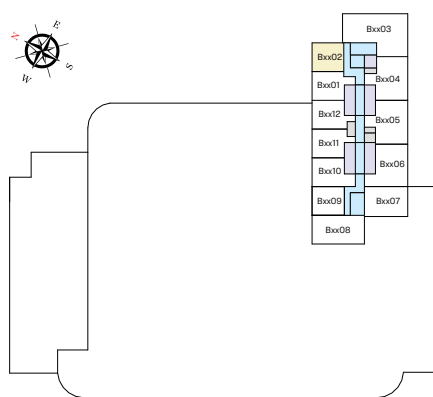
LEVEL 07



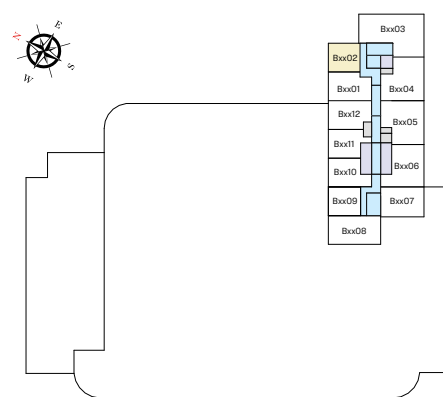
LEVEL 08



LEVEL 09



LEVEL 10 - 32



LEVEL (34 - 57)

List of unit numbers with this unit plan:

VIEWS

Burj Khalifa, Downtown

B202, B302, B402, B502, B602, B702, B802

Burj Khalifa, Downtown, Dubai Water Canal, Amenities

B902, B1002, B1102, B1202, B1302

Burj Khalifa, Downtown, Dubai Water Canal

B1402, B1502, B1602, B1702, B1802, B1902, B2002, B2102, B2202, B2302, B2402, B2502, B2602, B2702, B2802, B2902, B3002, B3102, B3202, B3402, B3502, B3602, B3702, B3802, B3902, B4002, B4102, B4202, B4302, B4402, B4502, B4602, B4702, B4802, B4902, B5002, B5102, B5202, B5302, B5402, B5502, B5602, B5702

Disclaimer: 1. All dimensions are in metric, measured to wall finishes. 2. All materials, dimensions & drawings are approximate. 3. Information is subject to change without notice, at developer's absolute discretion. 4. Actual area may vary from the stated area. 5. Drawing are not to scale. 6. All images used are for illustrative purpose only and do not represent the actual size, features, specifications, fittings and furnishings. 7. The developer reserves the right to make revisions/ alterations, at its absolute discretion, without any liability whatsoever.

1 BEDROOM APARTMENT

TYPE H (with powder room + balcony)

TOTAL SALEABLE AREA

SUITE = 697.39 SQ.FT.

BALCONY = 71.69 SQ.FT.

TOTAL = 769.08 SQ.FT.



List of unit numbers with this unit plan:

VIEWS

Burj Khalifa, Downtown

B202, B302, B402, B502, B602, B702, B802

Burj Khalifa, Downtown, Dubai Water Canal, Amenities

B902, B1002, B1102, B1202, B1302

Burj Khalifa, Downtown, Dubai Water Canal

B1402, B1502, B1602, B1702, B1802, B1902, B2002, B2102, B2202, B2302, B2402, B2502, B2602, B2702, B2802, B2902, B3002, B3102, B3202, B3402, B3502, B3602, B3702, B3802, B3902, B4002, B4102, B4202, B4302, B4402, B4502, B4602, B4702, B4802, B4902, B5002, B5102, B5202, B5302, B5402, B5502, B5602, B5702

Disclaimer: 1. All dimensions are in metric, measured to wall finishes. 2. All materials, dimensions & drawings are approximate. 3. Information is subject to change without notice, at developer's absolute discretion. 4. Actual area may vary from the stated area. 5. Drawing are not to scale. 6. All images used are for illustrative purpose only and do not represent the actual size, features, specifications, fittings and furnishings. 7. The developer reserves the right to make revisions/ alterations, at its absolute discretion, without any liability whatsoever.

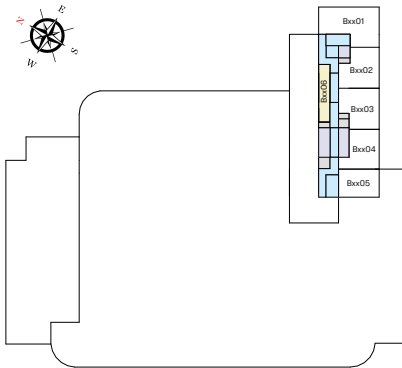
1 BEDROOM APARTMENT

TYPE I

TOTAL SALEABLE AREA

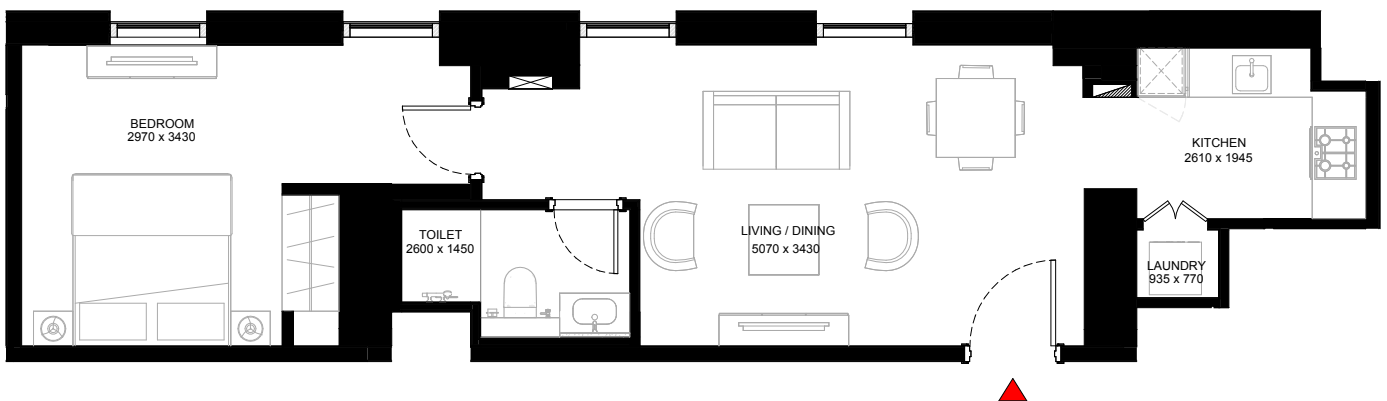
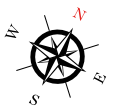
SUITE = 562.95 SQ.FT.

TOTAL = 562.95 SQ.FT.



LEVEL 60 - 63

UNIT



List of unit numbers with this unit plan:

VIEWS

Burj Khalifa, Downtown, Dubai Water Canal
B6006, B6106, B6206, B6306

Disclaimer: 1. All dimensions are in metric, measured to wall finishes. 2. All materials, dimensions & drawings are approximate. 3. Information is subject to change without notice, at developer's absolute discretion. 4. Actual area may vary from the stated area. 5. Drawing are not to scale. 6. All images used are for illustrative purpose only and do not represent the actual size, features, specifications, fittings and furnishings. 7. The developer reserves the right to make revisions/ alterations, at its absolute discretion, without any liability whatsoever.

1.5 BEDROOM APARTMENT

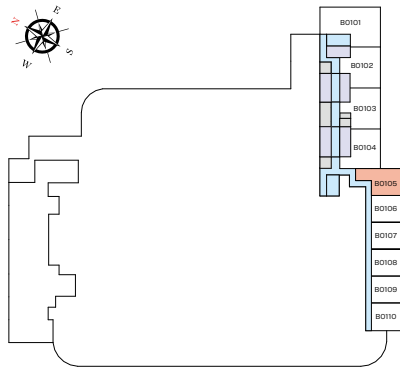
TYPE C (with powder room and study room + balcony)

TOTAL SALEABLE AREA

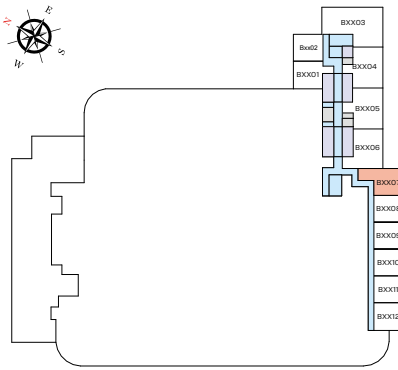
SUITE = 850.13 SQ.FT.

BALCONY = 69.21 SQ.FT.

TOTAL = 919.34 SQ.FT.

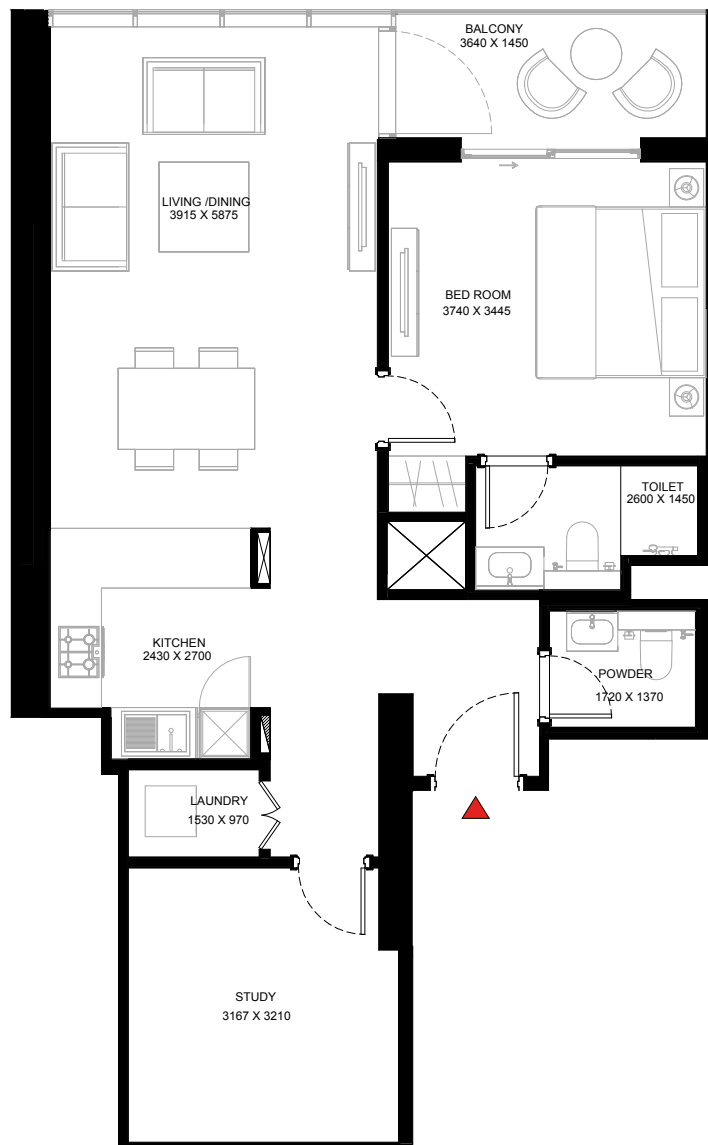
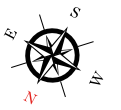


LEVEL 01



LEVEL 02 - 06

UNIT



List of unit numbers with this unit plan:

VIEWS

Hartland

B105, B207, B307, B407, B507, B607

Disclaimer: 1. All dimensions are in metric, measured to wall finishes. 2. All materials, dimensions & drawings are approximate. 3. Information is subject to change without notice, at developer's absolute discretion. 4. Actual area may vary from the stated area. 5. Drawing are not to scale. 6. All images used are for illustrative purpose only and do not represent the actual size, features, specifications, fittings and furnishings. 7. The developer reserves the right to make revisions/ alterations, at its absolute discretion, without any liability whatsoever.

1.5 BEDROOM APARTMENT

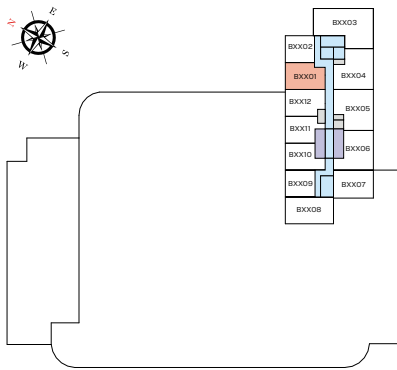
TYPE D (with study and powder room + balcony)

TOTAL SALEABLE AREA

SUITE = 934.20 SQ.FT.

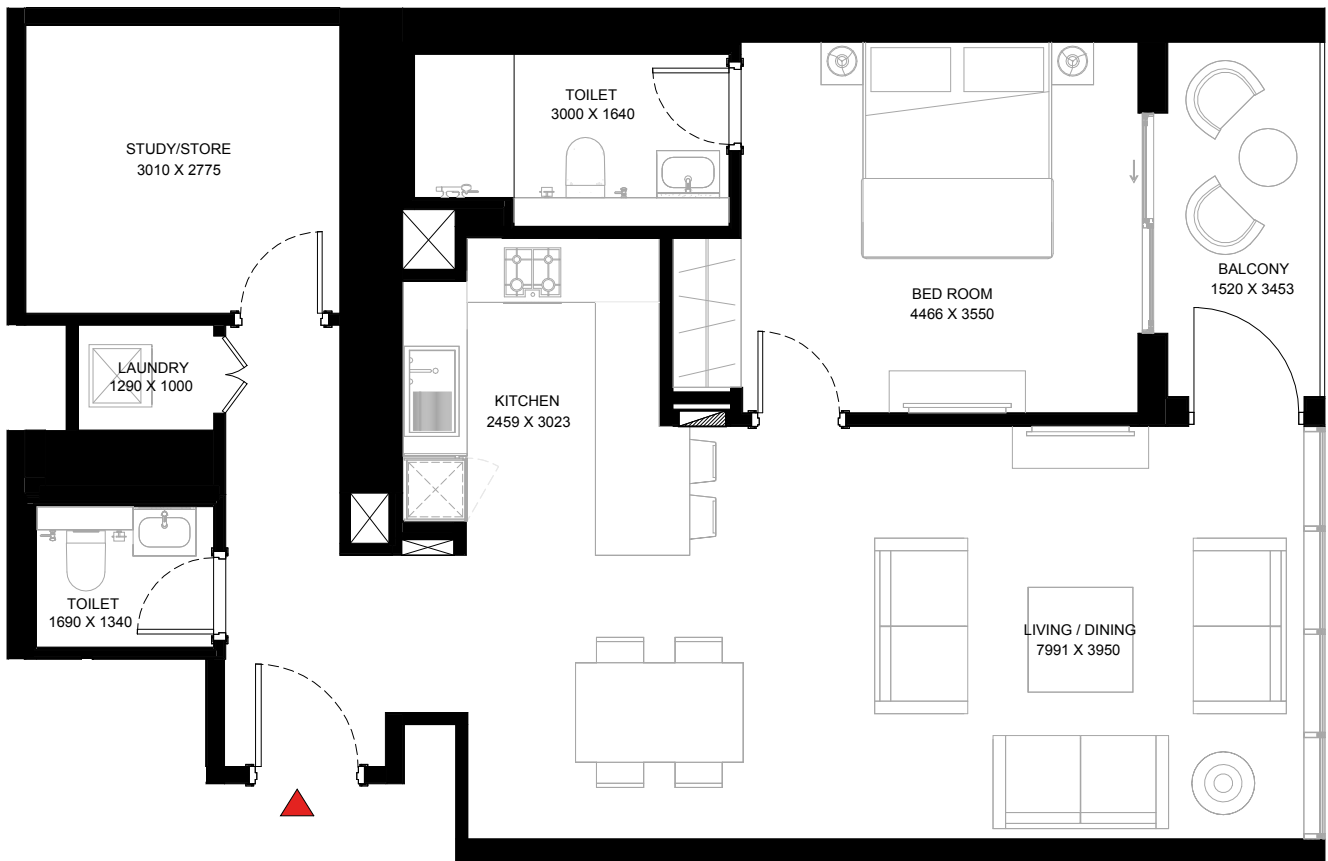
BALCONY = 66.52 SQ.FT.

TOTAL = 1,000.72 SQ.FT.



LEVEL 34 - 57

UNIT



List of unit numbers with this unit plan:

VIEWS

Burj Khalifa, Downtown, Dubai Water Canal

B3401, B3501, B3601, B3701, B3801, B3901, B4001, B4101, B4201, B4301, B4401, B4501, B4601, B4701, B4801, B4901, B5001, B5101, B5201, B5301, B5401, B5501, B5601, B5701

Disclaimer: 1. All dimensions are in metric, measured to wall finishes. 2. All materials, dimensions & drawings are approximate. 3. Information is subject to change without notice, at developer's absolute discretion. 4. Actual area may vary from the stated area. 5. Drawing are not to scale. 6. All images used are for illustrative purpose only and do not represent the actual size, features, specifications, fittings and furnishings. 7. The developer reserves the right to make revisions/ alterations, at its absolute discretion, without any liability whatsoever.

1.5 BEDROOM APARTMENT

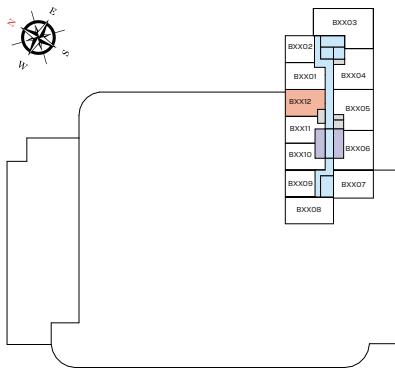
TYPE E (with study and powder room + balcony)

TOTAL SALEABLE AREA

SUITE = 934.31 SQ.FT.

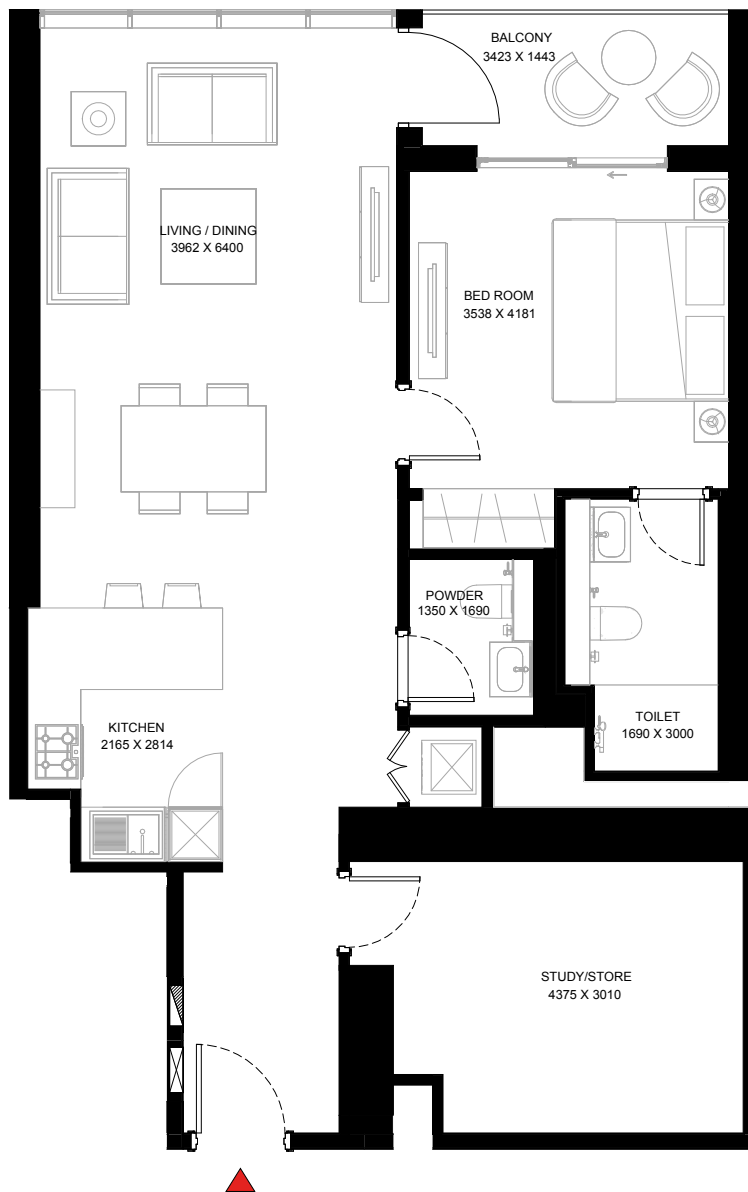
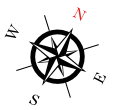
BALCONY = 66.84 SQ.FT.

TOTAL = 1,001.15 SQ.FT.



LEVEL 34 - 57

UNIT



List of unit numbers with this unit plan:

VIEWS

Burj Khalifa, Downtown, Dubai Water Canal

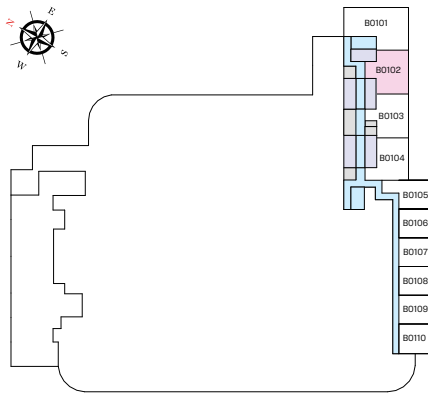
B3412, B3512, B3612, B3712, B3812, B3912, B4012, B4112, B4212, B4312, B4412, B4512, B4612, B4712, B4812, B4912, B5012, B5112, B5212, B5312, B5412, B5512, B5612, B5712

Disclaimer: 1. All dimensions are in metric, measured to wall finishes. 2. All materials, dimensions & drawings are approximate. 3. Information is subject to change without notice, at developer's absolute discretion. 4. Actual area may vary from the stated area. 5. Drawing are not to scale. 6. All images used are for illustrative purpose only and do not represent the actual size, features, specifications, fittings and furnishings. 7. The developer reserves the right to make revisions/ alterations, at its absolute discretion, without any liability whatsoever.

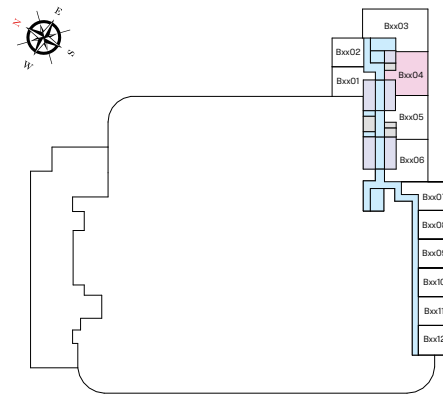
2 BEDROOM APARTMENT

TYPE C (with maid room and powder room + 2 balconies)

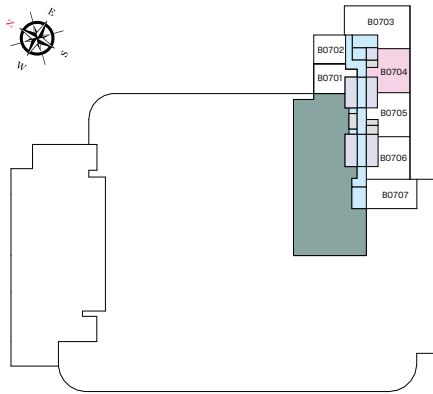
UNIT



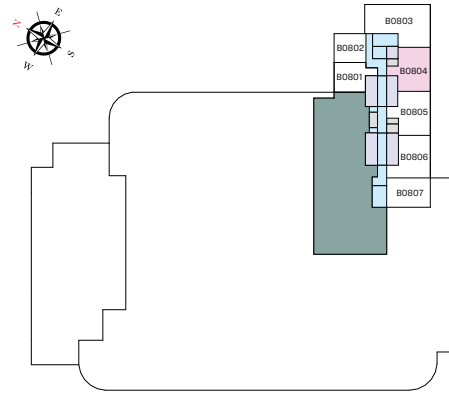
LEVEL 01



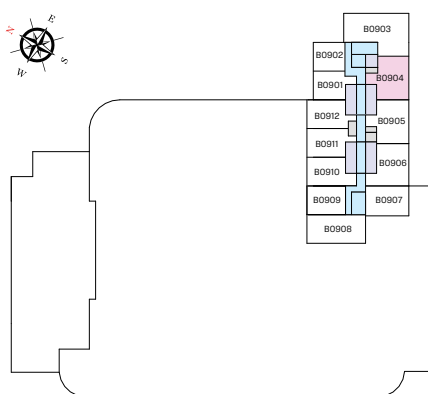
LEVEL 02 - 06



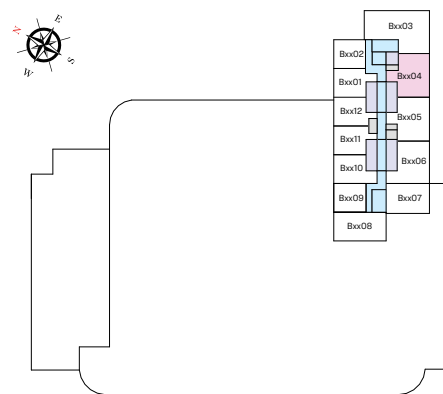
LEVEL 07



LEVEL 08



LEVEL 09



LEVEL 10 - 32

List of unit numbers with this unit plan:

VIEWS

Hartland

B102, B204, B304, B404, B504, B604

Ras Al Khor Sanctuary, Hartland

B704, B804, B904, B905, B1004, B1104, B1204, B1304, B1404, B1504, B1604, B1704, B1804, B1904, B2004, B2104, B2204, B2304, B2404, B2504, B2604, B2704, B2804, B2904, B3004, B3104, B3204

Disclaimer: 1. All dimensions are in metric, measured to wall finishes. 2. All materials, dimensions & drawings are approximate. 3. Information is subject to change without notice, at developer's absolute discretion. 4. Actual area may vary from the stated area. 5. Drawing are not to scale. 6. All images used are for illustrative purpose only and do not represent the actual size, features, specifications, fittings and furnishings. 7. The developer reserves the right to make revisions/ alterations, at its absolute discretion, without any liability whatsoever.

2 BEDROOM APARTMENT

TYPE C (with maid room and powder room + 2 balconies)

TOTAL SALEABLE AREA

SUITE = 1,142.16 SQ.FT.

BALCONY = 147.57 SQ.FT.

TOTAL = 1,289.73 SQ.FT.



List of unit numbers with this unit plan:

VIEWS

Hartland

B102, B204, B304, B404, B504, B604

Ras Al Khor Sanctuary, Hartland

B704, B804, B904, B905, B1004, B1104, B1204, B1304, B1404, B1504, B1604, B1704, B1804, B1904, B2004, B2104, B2204, B2304, B2404, B2504, B2604, B2704, B2804, B2904, B3004, B3104, B3204

Disclaimer: 1. All dimensions are in metric, measured to wall finishes. 2. All materials, dimensions & drawings are approximate. 3. Information is subject to change without notice, at developer's absolute discretion. 4. Actual area may vary from the stated area. 5. Drawing are not to scale. 6. All images used are for illustrative purpose only and do not represent the actual size, features, specifications, fittings and furnishings. 7. The developer reserves the right to make revisions/ alterations, at its absolute discretion, without any liability whatsoever.

2 BEDROOM APARTMENT

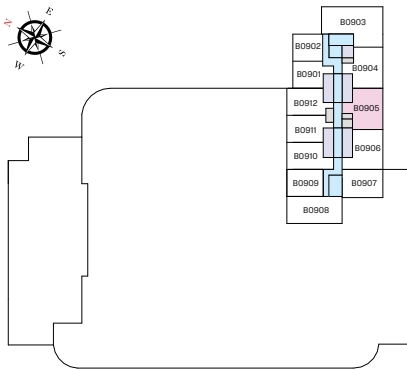
TYPE C (with maid room and powder room + 2 balconies) - VARIANT 1

TOTAL SALEABLE AREA

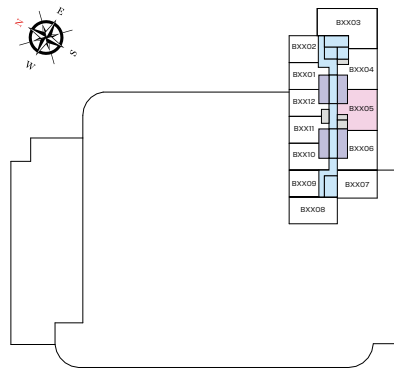
SUITE = 1,127.95 SQ.FT.

BALCONY = 143.91 SQ.FT.

TOTAL = 1,271.86 SQ.FT.

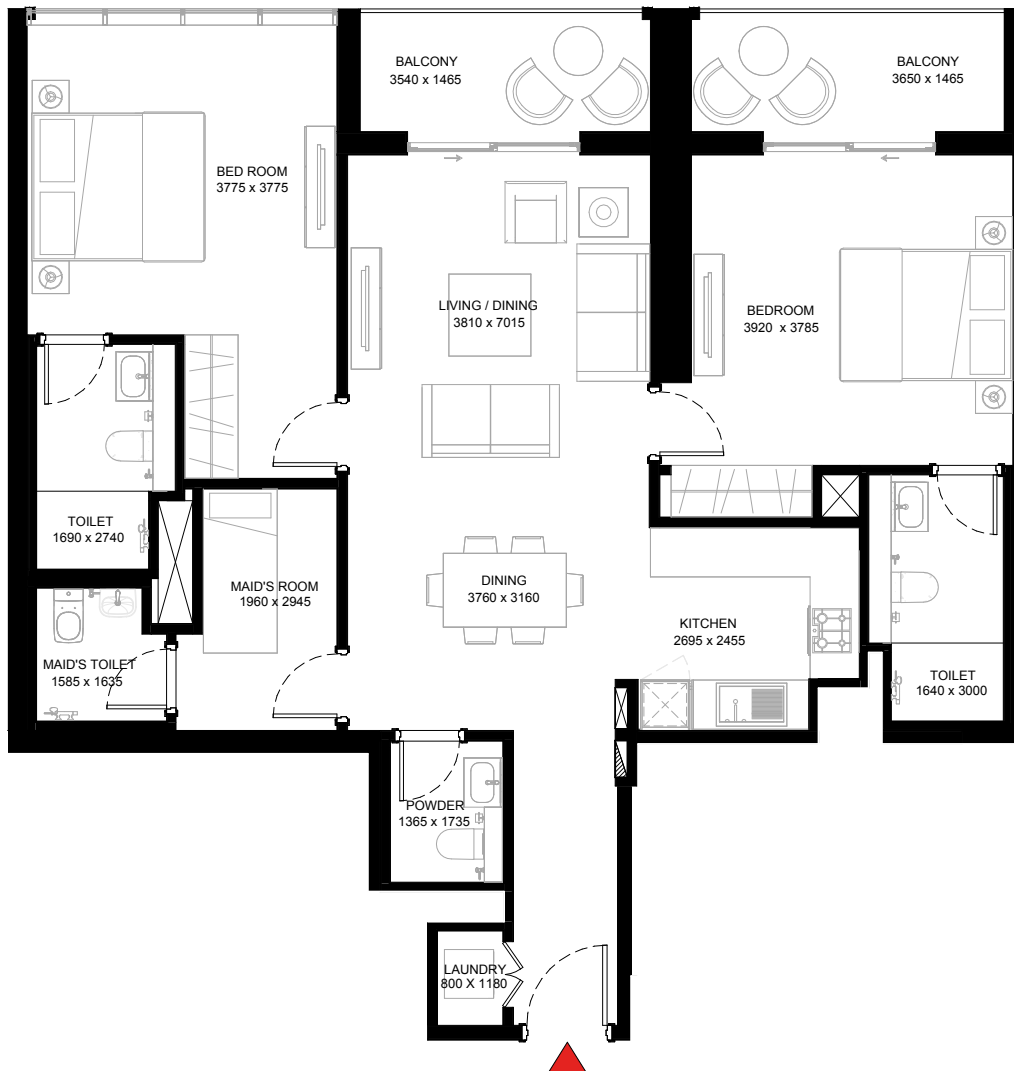


LEVEL 09



LEVEL 19 & 29

UNIT



List of unit numbers with this unit plan:

VIEWS

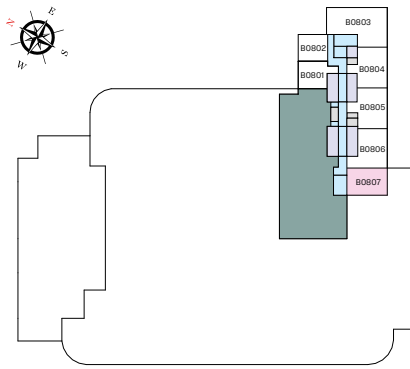
Ras Al Khor Sanctuary, Hartland
B905, B1905, B2905

Disclaimer: 1. All dimensions are in metric, measured to wall finishes. 2. All materials, dimensions & drawings are approximate. 3. Information is subject to change without notice, at developer's absolute discretion. 4. Actual area may vary from the stated area. 5. Drawing are not to scale. 6. All images used are for illustrative purpose only and do not represent the actual size, features, specifications, fittings and furnishings. 7. The developer reserves the right to make revisions/ alterations, at its absolute discretion, without any liability whatsoever.

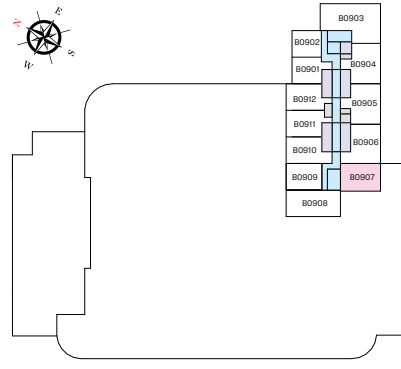
2 BEDROOM APARTMENT

TYPE D (with balcony)

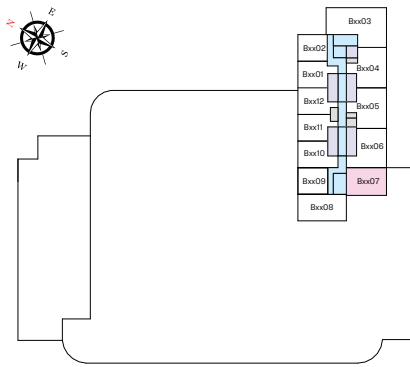
UNIT



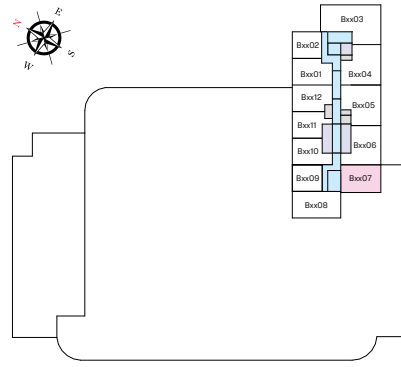
LEVEL 08



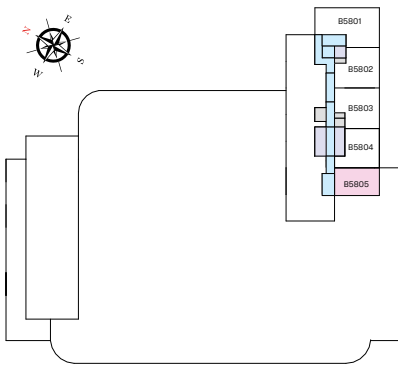
LEVEL 09



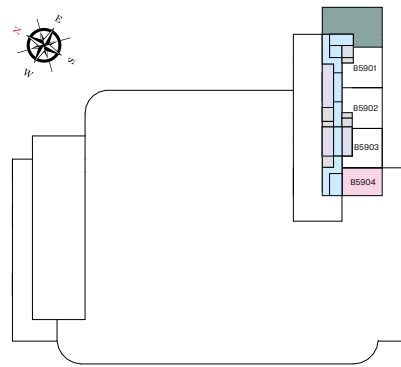
LEVEL 10 - 32



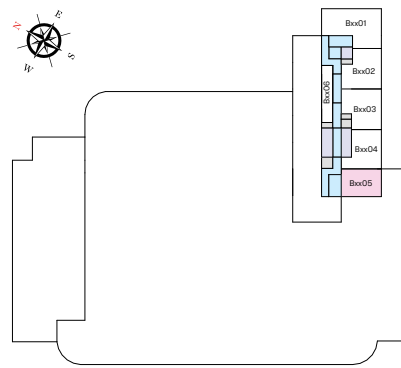
LEVEL (34 - 57)



LEVEL 58



LEVEL 59



LEVEL 60 - 63

List of unit numbers with this unit plan:

VIEWS

Ras Al Khor Sanctuary, Hartland

B807, B907, B1007, B1107, B1207, B1307, B1407, B1507, B1607, B1707, B1807, B1907, B2007, B2107, B2207, B2307, B2407, B2507, B2607, B2707, B2807, B2907, B3007, B3107, B3207, B3407, B3507, B3607, B3707, B3807, B3907, B4007, B4107, B4207, B4307, B4407, B4507, B4607, B4707, B4807, B4907, B5007, B5107, B5207, B5307, B5407, B5507, B5607, B5707, B5805, B5904, B6005, B6105, B6205, B6305

Disclaimer: 1. All dimensions are in metric, measured to wall finishes. 2. All materials, dimensions & drawings are approximate. 3. Information is subject to change without notice, at developer's absolute discretion. 4. Actual area may vary from the stated area. 5. Drawing are not to scale. 6. All images used are for illustrative purpose only and do not represent the actual size, features, specifications, fittings and furnishings. 7. The developer reserves the right to make revisions/ alterations, at its absolute discretion, without any liability whatsoever.

2 BEDROOM APARTMENT

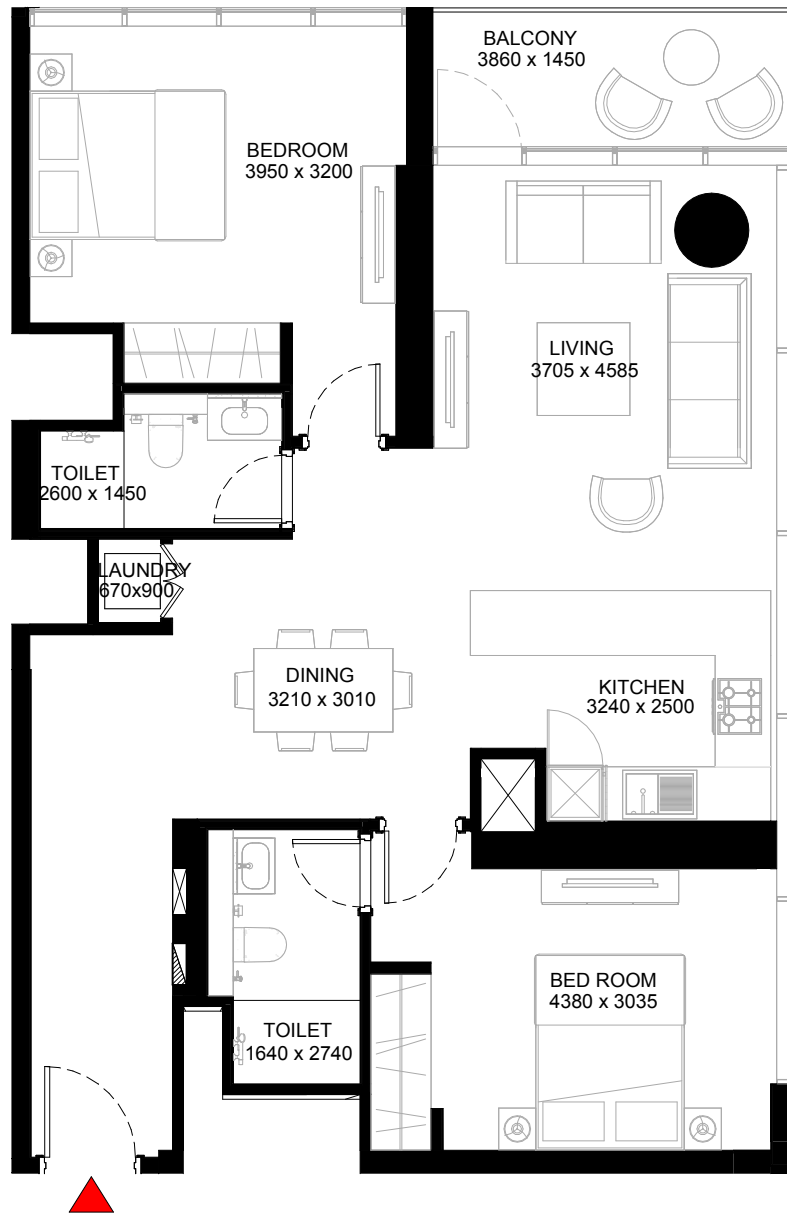
TYPE D (with balcony)

TOTAL SALEABLE AREA

SUITE = 1,008.26 SQ.FT.

BALCONY = 65.34 SQ.FT.

TOTAL = 1,073.60 SQ.FT.



List of unit numbers with this unit plan:

VIEWS

Ras Al Khor Sanctuary, Hartland

B807, B907, B1007, B1107, B1207, B1307, B1407, B1507, B1607, B1707, B1807, B1907, B2007, B2107, B2207, B2307, B2407, B2507, B2607, B2707, B2807, B2907, B3007, B3107, B3207, B3407, B3507, B3607, B3707, B3807, B3907, B4007, B4107, B4207, B4307, B4407, B4507, B4607, B4707, B4807, B4907, B5007, B5107, B5207, B5307, B5407, B5507, B5607, B5707, B5805, B5904, B6005, B6105, B6205, B6305

Disclaimer: 1. All dimensions are in metric, measured to wall finishes. 2. All materials, dimensions & drawings are approximate. 3. Information is subject to change without notice, at developer's absolute discretion. 4. Actual area may vary from the stated area. 5. Drawing are not to scale. 6. All images used are for illustrative purpose only and do not represent the actual size, features, specifications, fittings and furnishings. 7. The developer reserves the right to make revisions/ alterations, at its absolute discretion, without any liability whatsoever.

2 BEDROOM APARTMENT

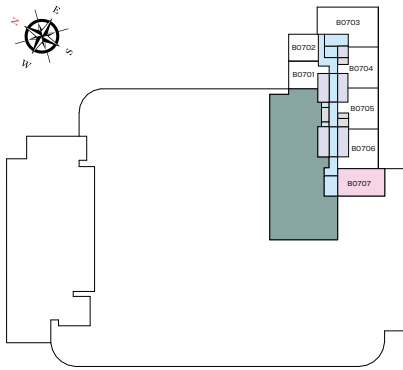
TYPE D (with yard) - VARIANT 1

TOTAL SALEABLE AREA

SUITE = 1,007.18 SQ.FT.

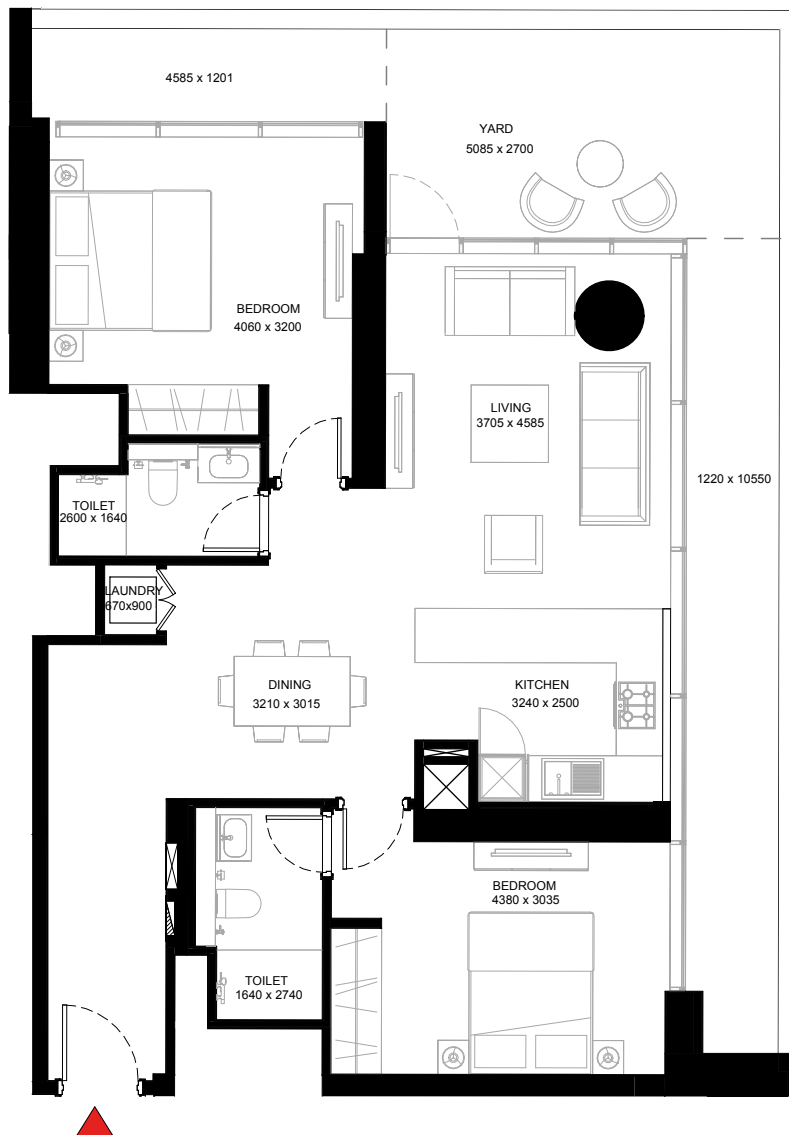
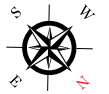
YARD = 388.79 SQ.FT.

TOTAL = 1,395.97 SQ.FT.



LEVEL 07

UNIT



List of unit numbers with this unit plan:

VIEWS

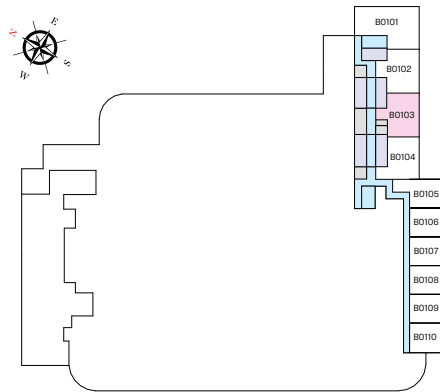
Hartland
B707

Disclaimer: 1. All dimensions are in metric, measured to wall finishes. 2. All materials, dimensions & drawings are approximate. 3. Information is subject to change without notice, at developer's absolute discretion. 4. Actual area may vary from the stated area. 5. Drawing are not to scale. 6. All images used are for illustrative purpose only and do not represent the actual size, features, specifications, fittings and furnishings. 7. The developer reserves the right to make revisions/ alterations, at its absolute discretion, without any liability whatsoever.

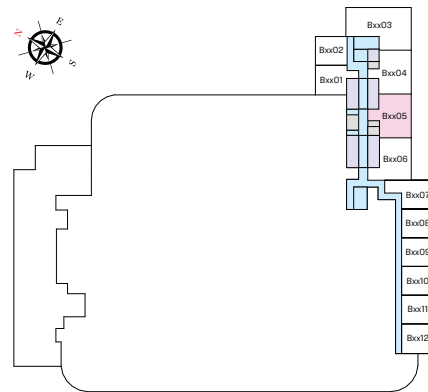
2 BEDROOM APARTMENT

TYPE E (with maid room and powder room + 2 balconies)

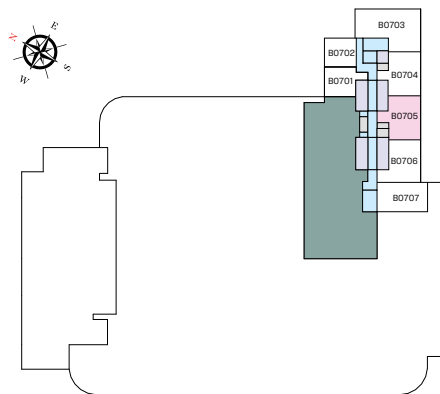
UNIT



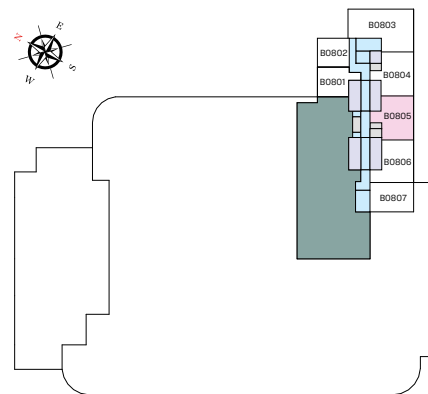
LEVEL 01



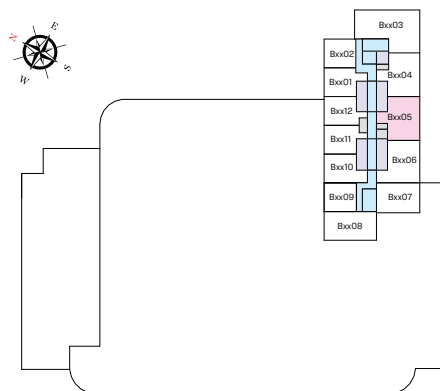
LEVEL 02 - 06



LEVEL 07



LEVEL 08



LEVEL 10 - 18, 20 - 28, 30 - 32

List of unit numbers with this unit plan:

VIEWS

Hartland

B103, B205, B305, B405, B505, B605

Ras Al Khor Sanctuary, Hartland

B705, B805, B1005, B1105, B1205, B1305, B1405, B1505, B1605, B1705, B1805, B2005, B2105, B2205, B2305, B2405, B2505, B2605, B2705, B2805, B3005, B3105, B3205

Disclaimer: 1. All dimensions are in metric, measured to wall finishes. 2. All materials, dimensions & drawings are approximate. 3. Information is subject to change without notice, at developer's absolute discretion. 4. Actual area may vary from the stated area. 5. Drawing are not to scale. 6. All images used are for illustrative purpose only and do not represent the actual size, features, specifications, fittings and furnishings. 7. The developer reserves the right to make revisions/ alterations, at its absolute discretion, without any liability whatsoever.

2 BEDROOM APARTMENT

TYPE E (with maid room and powder room + 2 balconies)

TOTAL SALEABLE AREA

SUITE = 1,142.48 SQ.FT.

BALCONY = 143.91 SQ.FT.

TOTAL = 1,286.39 SQ.FT.



List of unit numbers with this unit plan:

VIEWS

Hartland

B103, B205, B305, B405, B505, B605

Ras Al Khor Sanctuary, Hartland

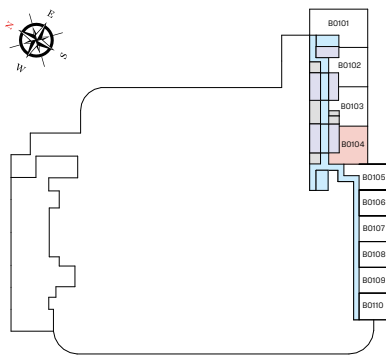
B705, B805, B1005, B1105, B1205, B1305, B1405, B1505, B1605, B1705, B1805, B2005, B2105, B2205, B2305, B2405, B2505, B2605, B2705, B2805, B3005, B3105, B3205

Disclaimer: 1. All dimensions are in metric, measured to wall finishes. 2. All materials, dimensions & drawings are approximate. 3. Information is subject to change without notice, at developer's absolute discretion. 4. Actual area may vary from the stated area. 5. Drawing are not to scale. 6. All images used are for illustrative purpose only and do not represent the actual size, features, specifications, fittings and furnishings. 7. The developer reserves the right to make revisions/ alterations, at its absolute discretion, without any liability whatsoever.

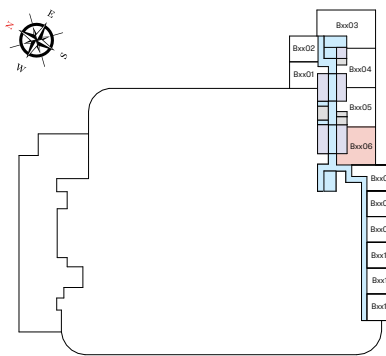
2.5 BEDROOM APARTMENT

TYPE C (with study and maid room + balcony)

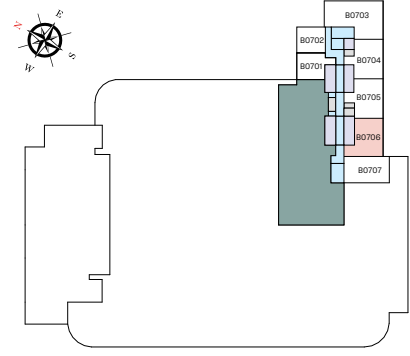
UNIT



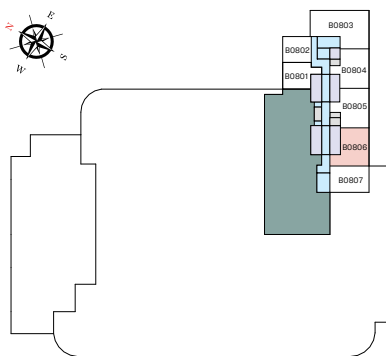
LEVEL 01



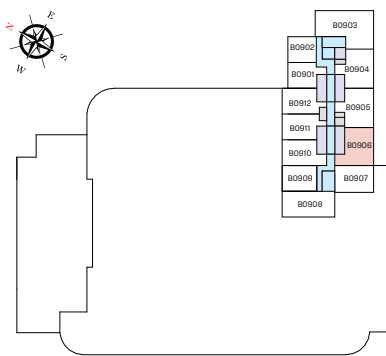
LEVEL 02 - 06



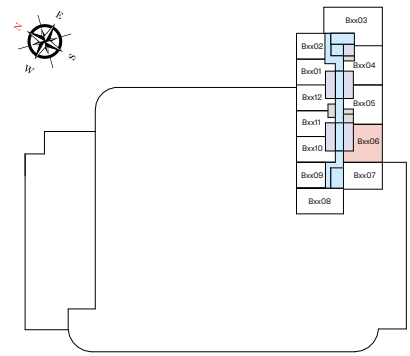
LEVEL 07



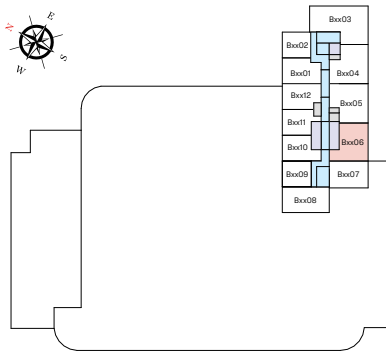
LEVEL 08



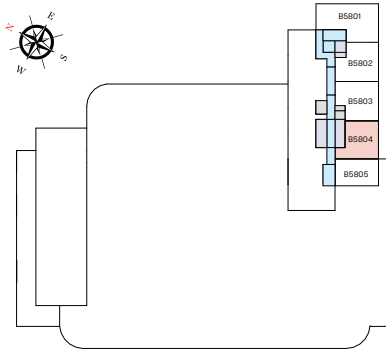
LEVEL 09



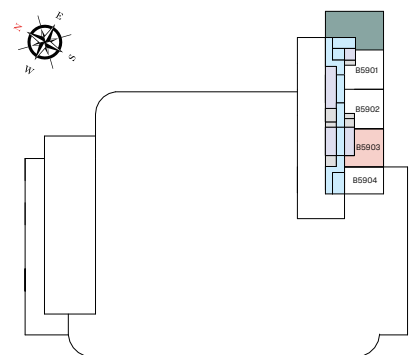
LEVEL 10 - 32



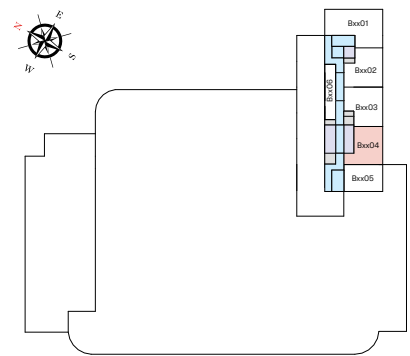
LEVEL (34 - 57)



LEVEL 58



LEVEL 59



LEVEL 60 - 63

List of unit numbers with this unit plan:

VIEWS

Hartland

B104, B206, B306, B406, B506, B606

Ras Al Khor Sanctuary, Hartland

B706, B806, B906, B1006, B1106, B1206, B1306, B1406, B1506, B1606, B1706, B1806, B1906, B2006, B2106, B2206, B2306, B2406, B2506, B2606, B2706, B2806, B2906, B3006, B3106, B3206, B3406, B3506, B3606, B3706, B3806, B3906, B4006, B4106, B4206, B4306, B4406, B4506, B4606, B4706, B4806, B4906, B5006, B5106, B5206, B5306, B5406, B5506, B5606, B5706, B5804, B5903, B6004, B6104, B6204, B6304

Disclaimer: 1. All dimensions are in metric, measured to wall finishes. 2. All materials, dimensions & drawings are approximate. 3. Information is subject to change without notice, at developer's absolute discretion. 4. Actual area may vary from the stated area. 5. Drawing are not to scale. 6. All images used are for illustrative purpose only and do not represent the actual size, features, specifications, fittings and furnishings. 7. The developer reserves the right to make revisions/ alterations, at its absolute discretion, without any liability whatsoever.

2.5 BEDROOM APARTMENT

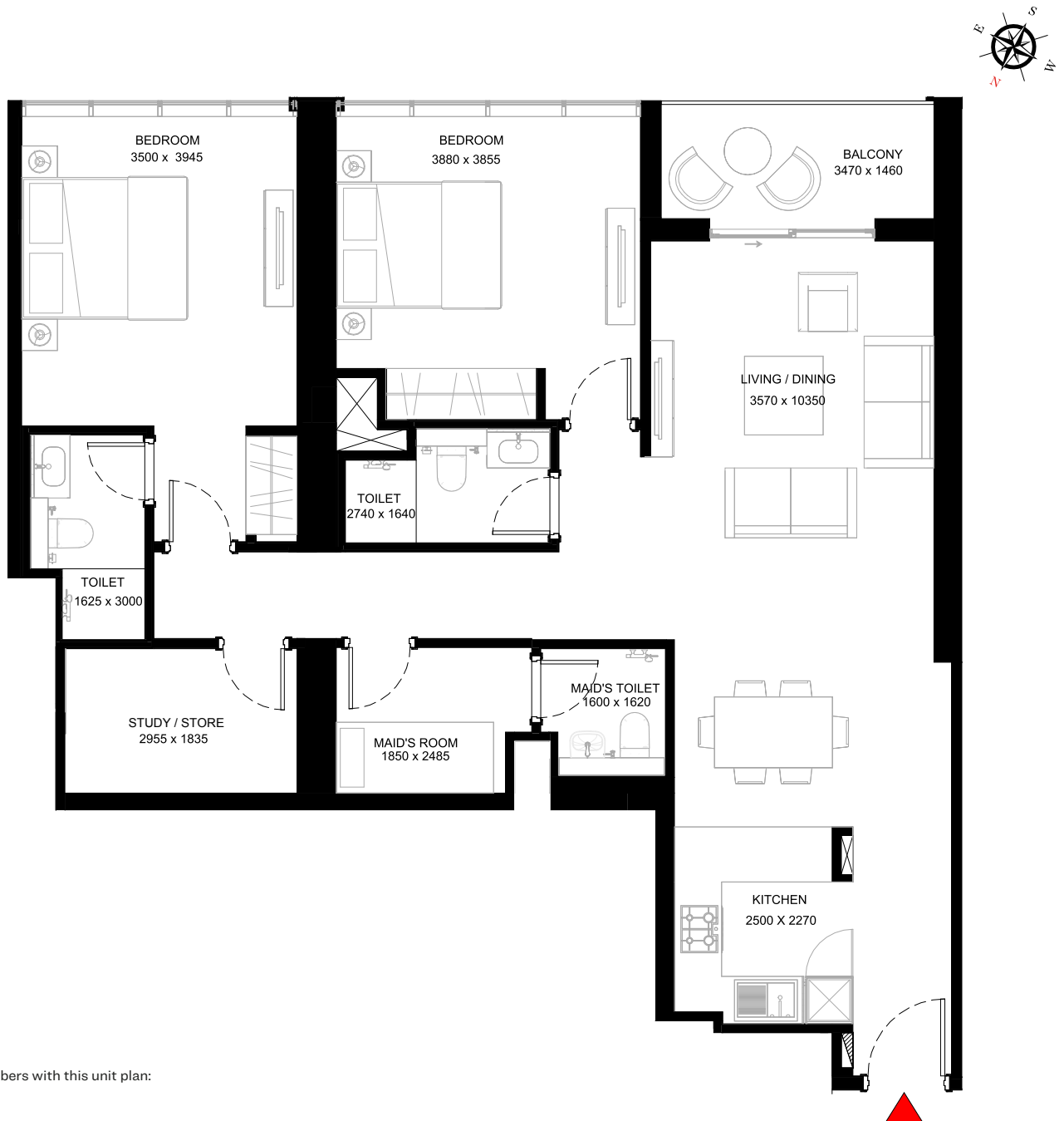
TYPE C (with study and maid room + balcony)

TOTAL SALEABLE AREA

SUITE = 1,202.54 SQ.FT.

BALCONY = 67.92 SQ.FT.

TOTAL = 1,270.46 SQ.FT.



List of unit numbers with this unit plan:

VIEWS

Hartland

B104,B206,B306,B406,B506,B606

Ras Al Khor Sanctuary, Hartland

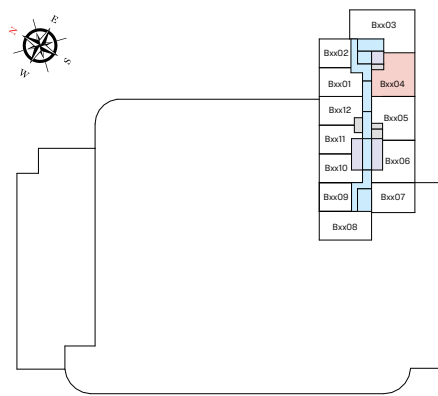
B706, B806, B906, B1006, B1106, B1206, B1306, B1406, B1506, B1606, B1706, B1806, B1906, B2006, B2106, B2206, B2306, B2406, B2506, B2606, B2706, B2806, B2906, B3006, B3106, B3206, B3406, B3506, B3606, B3706, B3806, B3906, B4006, B4106, B4206, B4306, B4406, B4506, B4606, B4706, B4806, B4906, B5006, B5106, B5206, B5306, B5406, B5506, B5606, B5706, B5804, B5903, B6004, B6104, B6204, B6304

Disclaimer: 1. All dimensions are in metric, measured to wall finishes. 2. All materials, dimensions & drawings are approximate. 3. Information is subject to change without notice, at developer's absolute discretion. 4. Actual area may vary from the stated area. 5. Drawing are not to scale. 6. All images used are for illustrative purpose only and do not represent the actual size, features, specifications, fittings and furnishings. 7. The developer reserves the right to make revisions/ alterations, at its absolute discretion, without any liability whatsoever.

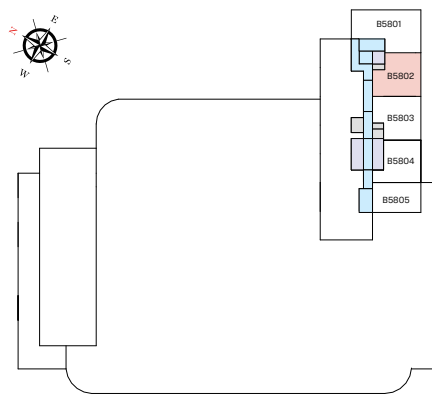
2.5 BEDROOM APARTMENT

TYPE D (with study and maid room + 2 balconies)

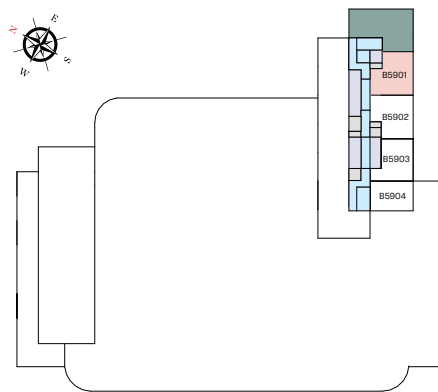
UNIT



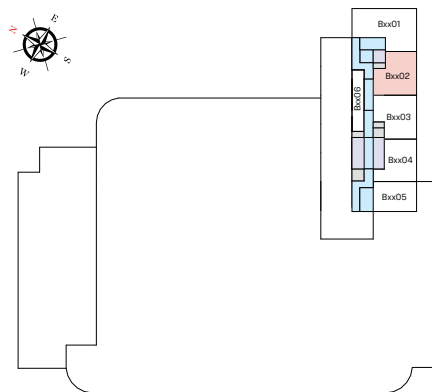
LEVEL (34 - 57)



LEVEL 58



LEVEL 59



LEVEL 60 - 63

List of unit numbers with this unit plan:

VIEWS

Ras Al Khor Sanctuary, Hartland

B3404, B3504, B3604, B3704, B3804, B3904, B4004, B4104, B4204, B4304, B4404, B4504, B4604, B4704, B4804, B4904, B5004, B5104, B5204, B5304, B5404, B5504, B5604, B5704, B5802, B5901, B6002, B6102, B6202, B6302

Disclaimer: 1. All dimensions are in metric, measured to wall finishes. 2. All materials, dimensions & drawings are approximate. 3. Information is subject to change without notice, at developer's absolute discretion. 4. Actual area may vary from the stated area. 5. Drawing are not to scale. 6. All images used are for illustrative purpose only and do not represent the actual size, features, specifications, fittings and furnishings. 7. The developer reserves the right to make revisions/ alterations, at its absolute discretion, without any liability whatsoever.

2.5 BEDROOM APARTMENT

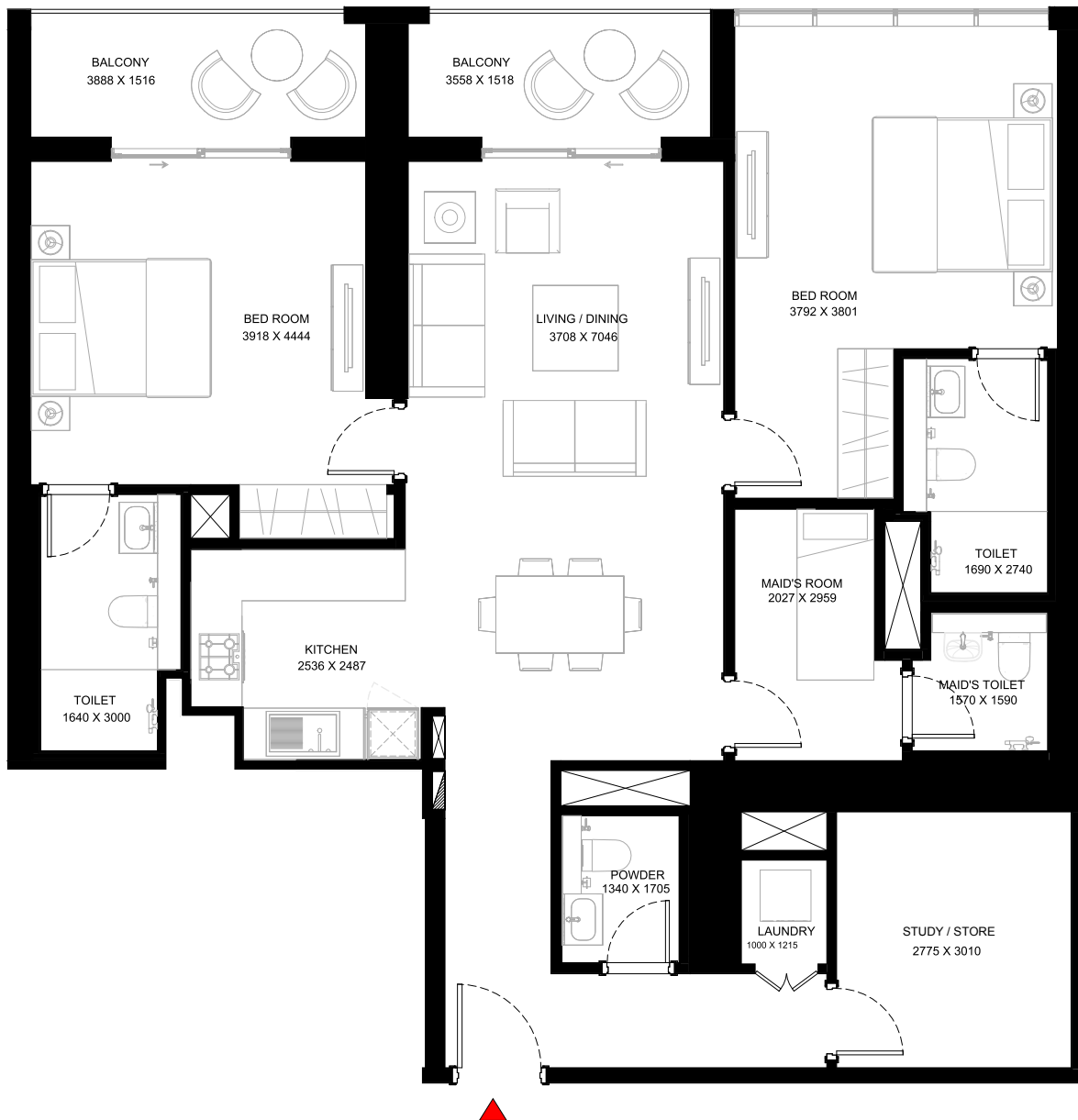
TYPE D (with study and maid room + 2 balconies)

TOTAL SALEABLE AREA

SUITE = 1,297.05 SQ.FT.

BALCONY = 147.57 SQ.FT.

TOTAL = 1,444.62 SQ.FT.



List of unit numbers with this unit plan:

VIEWS

Ras Al Khor Sanctuary, Hartland

B3404, B3504, B3604, B3704, B3804, B3904, B4004, B4104, B4204, B4304, B4404, B4504, B4604, B4704, B4804, B4904, B5004, B5104, B5204, B5304, B5404, B5504, B5604, B5704, B5802, B5901, B6002, B6102, B6202, B6302

Disclaimer: 1. All dimensions are in metric, measured to wall finishes. 2. All materials, dimensions & drawings are approximate. 3. Information is subject to change without notice, at developer's absolute discretion. 4. Actual area may vary from the stated area. 5. Drawing are not to scale. 6. All images used are for illustrative purpose only and do not represent the actual size, features, specifications, fittings and furnishings. 7. The developer reserves the right to make revisions/ alterations, at its absolute discretion, without any liability whatsoever.

2.5 BEDROOM APARTMENT

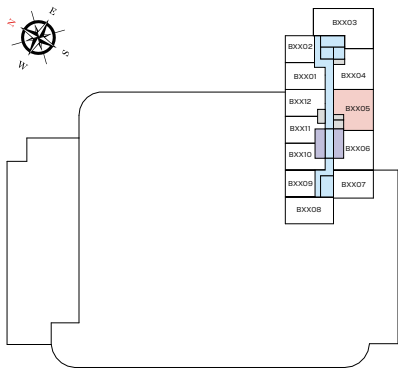
TYPE D (with study and maid room + 2 balconies) - VARIANT 1

TOTAL SALEABLE AREA

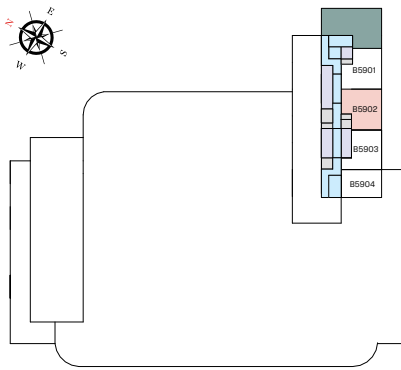
SUITE = 1,282.95 SQ.FT.

BALCONY RANGE = 143.91 - 147.57 SQ.FT.

TOTAL RANGE = 1,426.86 - 1,430.52 SQ.FT.



LEVEL 39 & 49



LEVEL 59

UNIT



List of unit numbers with this unit plan:

VIEWS

Ras Al Khor Sanctuary, Hartland
B3905, B4905, B5902

Disclaimer: 1. All dimensions are in metric, measured to wall finishes. 2. All materials, dimensions & drawings are approximate. 3. Information is subject to change without notice, at developer's absolute discretion. 4. Actual area may vary from the stated area. 5. Drawing are not to scale. 6. All images used are for illustrative purpose only and do not represent the actual size, features, specifications, fittings and furnishings. 7. The developer reserves the right to make revisions/ alterations, at its absolute discretion, without any liability whatsoever.

2.5 BEDROOM APARTMENT

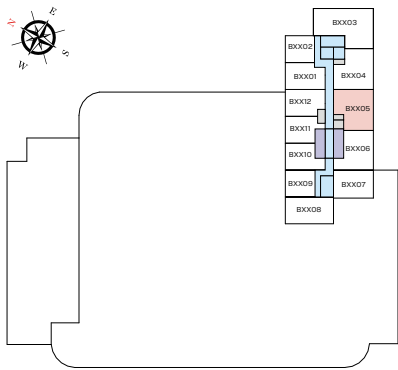
TYPE E (with study and maid room + 2 balconies)

TOTAL SALEABLE AREA

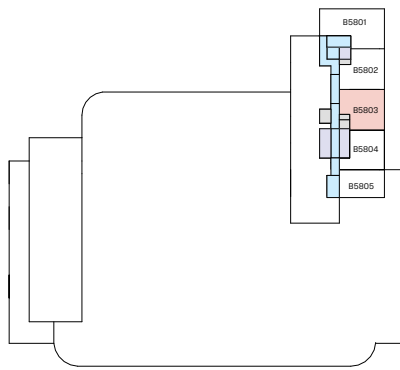
SUITE = 1,297.80 SQ.FT.

BALCONY = 143.91 SQ.FT.

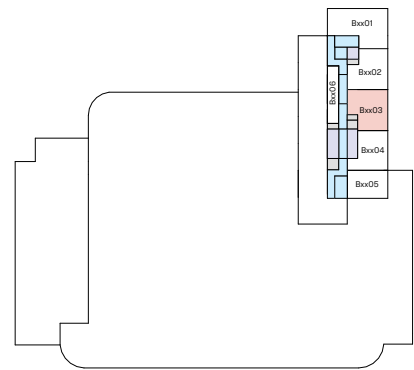
TOTAL = 1,441.71 SQ.FT.



LEVEL 34 - 38, 40 - 48 & 50 - 57



LEVEL 58



LEVEL 60 - 63

UNIT



List of unit numbers with this unit plan:

VIEWS

Ras Al Khor Sanctuary, Hartland

B3405, B3505, B3605, B3705, B3805, B4005, B4105, B4205, B4305, B4405, B4505, B4605, B4705, B4805, B5005, B5105, B5205, B5305, B5405, B5505, B5605, B5705, B5803, B6003, B6103, B6203, B6303

Disclaimer: 1. All dimensions are in metric, measured to wall finishes. 2. All materials, dimensions & drawings are approximate. 3. Information is subject to change without notice, at developer's absolute discretion. 4. Actual area may vary from the stated area. 5. Drawing are not to scale. 6. All images used are for illustrative purpose only and do not represent the actual size, features, specifications, fittings and furnishings. 7. The developer reserves the right to make revisions/ alterations, at its absolute discretion, without any liability whatsoever.

3 BEDROOM APARTMENT

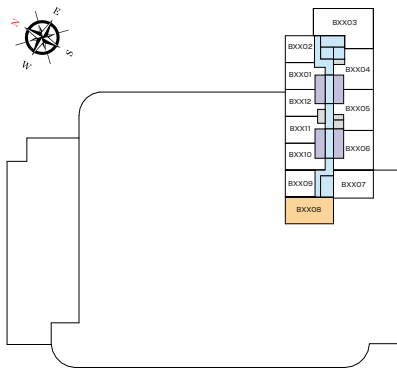
TYPE A (with maid room and powder room + balcony)

TOTAL SALEABLE AREA

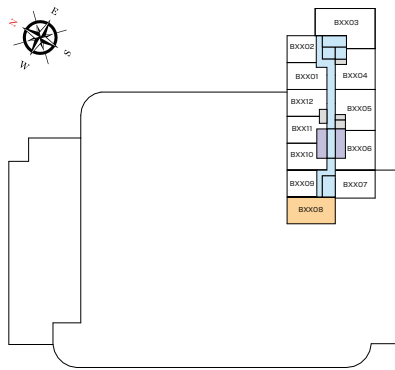
SUITE = 1,180.05 SQ.FT.

BALCONY = 66.41 SQ.FT.

TOTAL = 1,246.46 SQ.FT.



LEVEL 10 - 32



LEVEL 34 - 57

UNIT



List of unit numbers with this unit plan:

VIEWS

Burj Khalifa, Downtown, Dubai Water Canal, Hartland, Amenities
B1008, B1108, B1208, B1308

Burj Khalifa, Downtown, Dubai Water Canal

B1408, B1508, B1608, B1708, B1808, B1908, B2008, B2108, B2208, B2308, B2408, B2508, B2608, B2708, B2808, B2908, B3008, B3108, B3208, B3408, B3508, B3608, B3708, B3808, B3908, B4008, B4108, B4208, B4308, B4408, B4508, B4608, B4708, B4808, B4908, B5008, B5108, B5208, B5308, B5408, B5508, B5608, B5708

Disclaimer: 1. All dimensions are in metric, measured to wall finishes. 2. All materials, dimensions & drawings are approximate. 3. Information is subject to change without notice, at developer's absolute discretion. 4. Actual area may vary from the stated area. 5. Drawing are not to scale. 6. All images used are for illustrative purpose only and do not represent the actual size, features, specifications, fittings and furnishings. 7. The developer reserves the right to make revisions/ alterations, at its absolute discretion, without any liability whatsoever.

3 BEDROOM APARTMENT

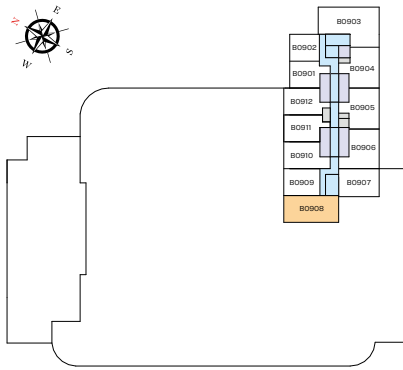
TYPE A (with powder room and maid room + yard) - VARIANT 1

TOTAL SALEABLE AREA

SUITE = 1,177.46 SQ.FT.

YARD = 237.88 SQ.FT.

TOTAL = 1,415.34 SQ.FT.



LEVEL 09

UNIT



List of unit numbers with this unit plan:

VIEWS

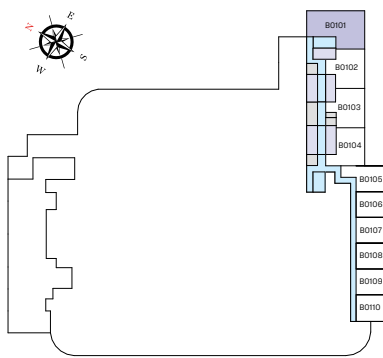
Burj Khalifa, Downtown, Dubai Water Canal, Hartland, Amenities
B908

Disclaimer: 1. All dimensions are in metric, measured to wall finishes. 2. All materials, dimensions & drawings are approximate. 3. Information is subject to change without notice, at developer's absolute discretion. 4. Actual area may vary from the stated area. 5. Drawing are not to scale. 6. All images used are for illustrative purpose only and do not represent the actual size, features, specifications, fittings and furnishings. 7. The developer reserves the right to make revisions/ alterations, at its absolute discretion, without any liability whatsoever.

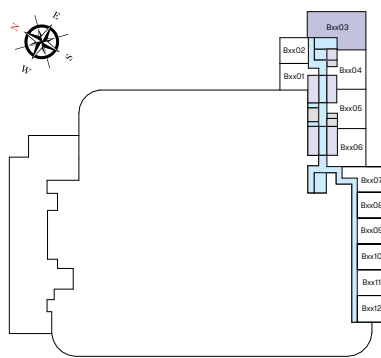
3.5 BEDROOM APARTMENT

TYPE B (with study and maid room + balcony)

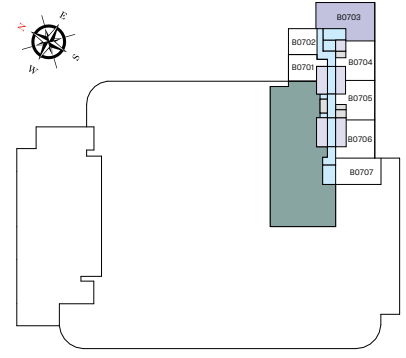
UNIT



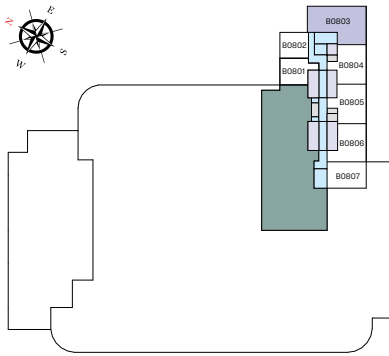
LEVEL 01



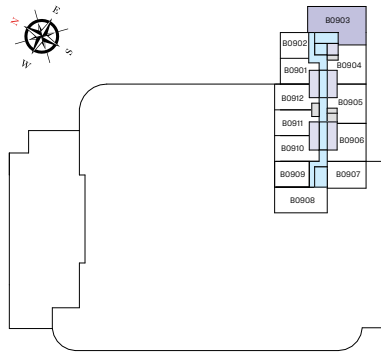
LEVEL 02 - 06



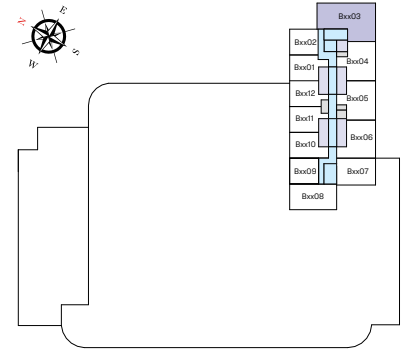
LEVEL 07



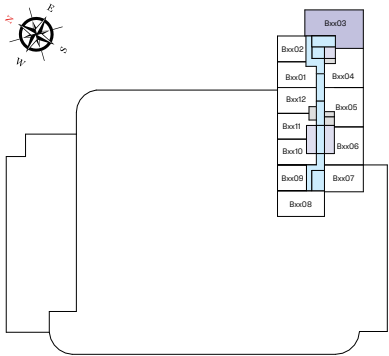
LEVEL 08



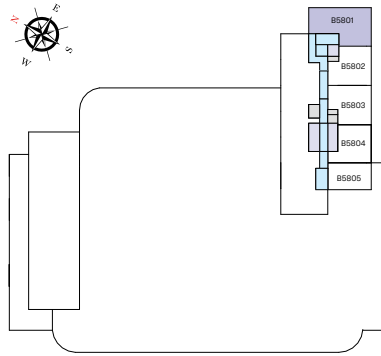
LEVEL 09



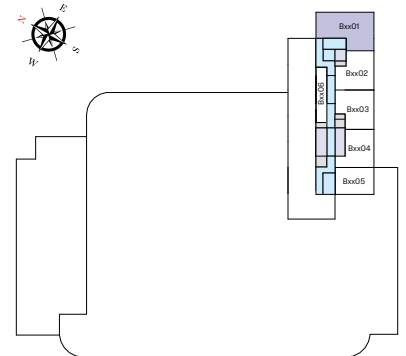
LEVEL 10 - 32



LEVEL (34 - 57)



LEVEL 58



LEVEL 60 - 63

List of unit numbers with this unit plan:

VIEWS

Burj Khalifa, Downtown, Hartland

B101, B203, B303, B403, B503, B603, B703, B803

Burj Khalifa, Downtown, Dubai Water Canal, Hartland

B903, B1003, B1103, B1203, B1303, B1403, B1503, B1603, B1703, B1803, B1903, B2003, B2103, B2203, B2303, B2403, B2503, B2603, B2703, B2803, B2903, B3003, B3103, B3203, B3403, B3503, B3603, B3703, B3803, B3903, B4003, B4103, B4203, B4303, B4403, B4503, B4603, B4703, B4803, B4903, B5003, B5103

Burj Khalifa, Downtown, Dubai Water Canal, Ras Al Khor Sanctuary, Hartland

B5203, B5303, B5403, B5503, B5603, B5703, B5801, B6001, B6101, B6201, B6301

Disclaimer: 1. All dimensions are in metric, measured to wall finishes. 2. All materials, dimensions & drawings are approximate. 3. Information is subject to change without notice, at developer's absolute discretion. 4. Actual area may vary from the stated area. 5. Drawing are not to scale. 6. All images used are for illustrative purpose only and do not represent the actual size, features, specifications, fittings and furnishings. 7. The developer reserves the right to make revisions/ alterations, at its absolute discretion, without any liability whatsoever.

3.5 BEDROOM APARTMENT

TYPE B (with study and maid room + balcony)

TOTAL SALEABLE AREA

SUITE = 1,807.05 SQ.FT.

BALCONY = 80.84 SQ.FT.

TOTAL = 1,887.89 SQ.FT.



List of unit numbers with this unit plan:

VIEWS

Burj Khalifa, Downtown, Hartland

B101, B203, B303, B403, B503, B603, B703, B803

Burj Khalifa, Downtown, Dubai Water Canal, Hartland

B903, B1003, B1103, B1203, B1303, B1403, B1503, B1603, B1703, B1803, B1903, B2003, B2103, B2203, B2303, B2403, B2503, B2603, B2703, B2803, B2903, B3003, B3103, B3203, B3403, B3503, B3603, B3703, B3803, B3903, B4003, B4103, B4203, B4303, B4403, B4503, B4603, B4703, B4803, B4903, B5003, B5103

Burj Khalifa, Downtown, Dubai Water Canal, Ras Al Khor Sanctuary, Hartland

B5203, B5303, B5403, B5503, B5603, B5703, B5801, B6001, B6101, B6201, B6301

Disclaimer: 1. All dimensions are in metric, measured to wall finishes. 2. All materials, dimensions & drawings are approximate. 3. Information is subject to change without notice, at developer's absolute discretion. 4. Actual area may vary from the stated area. 5. Drawing are not to scale. 6. All images used are for illustrative purpose only and do not represent the actual size, features, specifications, fittings and furnishings. 7. The developer reserves the right to make revisions/ alterations, at its absolute discretion, without any liability whatsoever.



SOBHA
REALTY